

# N19 300

SISTEMA DE BATENTE COM RPT

SYSTEM WITH THERMAL BREAK





O sistema N19 300 é uma solução de batente em alumínio com profundidades de aro de 70 mm e 82 mm, desenvolvida para cumprir os requisitos técnicos e estéticos da construção europeia contemporânea. A compatibilidade com envidraçados até 68 mm, aliada à ruptura de ponte térmica com poliamidas de 30 e 34 mm, permite elevados níveis de desempenho térmico e acústico, assegurando a conformidade com a Marcação CE.

O sistema apresenta uma gama abrangente de perfis, organizada em quatro linhas construtivas, com opções de geometria reta e curva, adaptáveis a diferentes abordagens arquitetónicas. A existência de perfis com distintos níveis de robustez e inércia garante resistência mecânica, fiabilidade e durabilidade, possibilitando a aplicação em janelas e portas, incluindo vãos de grandes dimensões, com elevados desempenhos de permeabilidade ao ar, estanquidade à água e resistência ao vento, validados por ensaios em organismo notificado.

The N19 300 system is an aluminium casement solution with frame depths of 70 mm and 82 mm, designed to meet the technical and aesthetic requirements of contemporary European construction. Compatibility with glazing up to 68 mm, combined with thermal break polyamides of 30 and 34 mm, ensures high thermal and acoustic performance, in compliance with CE Marking requirements.

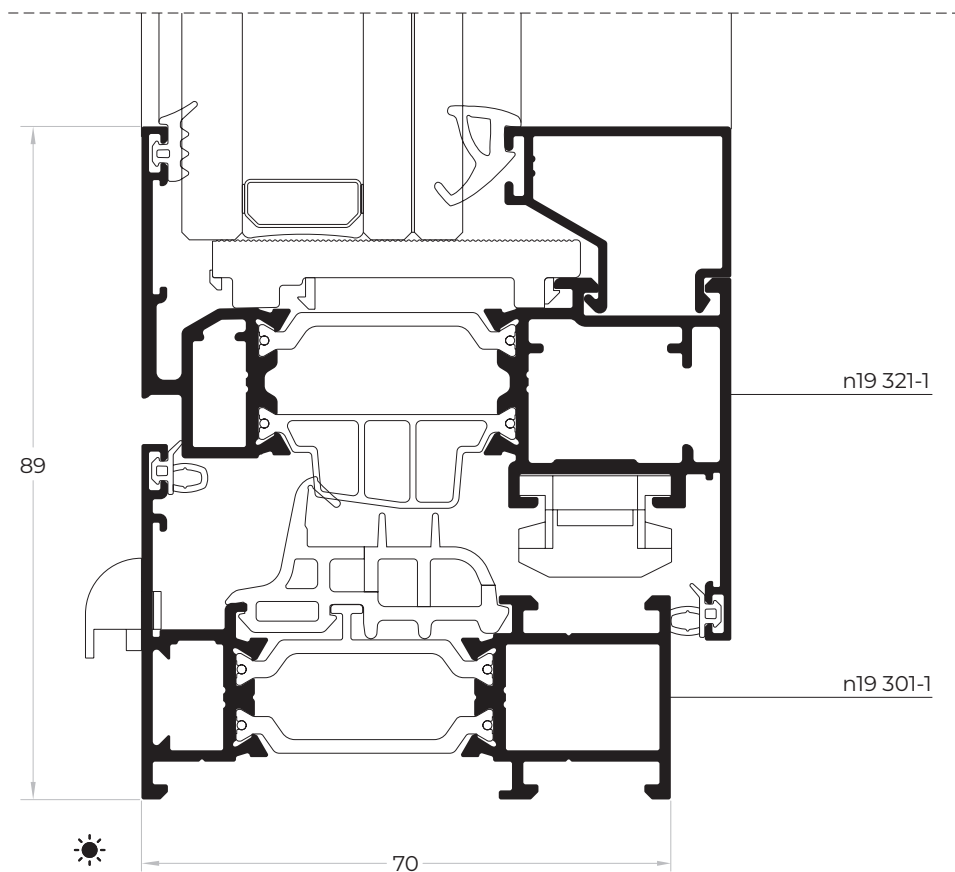
The system features a comprehensive range of profiles, organised into four construction lines, with straight and curved design options, allowing adaptation to different architectural concepts. The availability of profiles with varying levels of robustness and inertia guarantees mechanical strength, reliability and durability, enabling application in windows and doors, including large openings, with high performance in air permeability, water tightness and wind resistance, validated by tests carried out by a notified body.

## DESEMPENHO FUNCIONAL

### FUNCTIONAL PERFORMANCE

# DESIGN VERSÁTIL

VERSATILE DESIGN



**N19 300-1 FLAT (FT)**



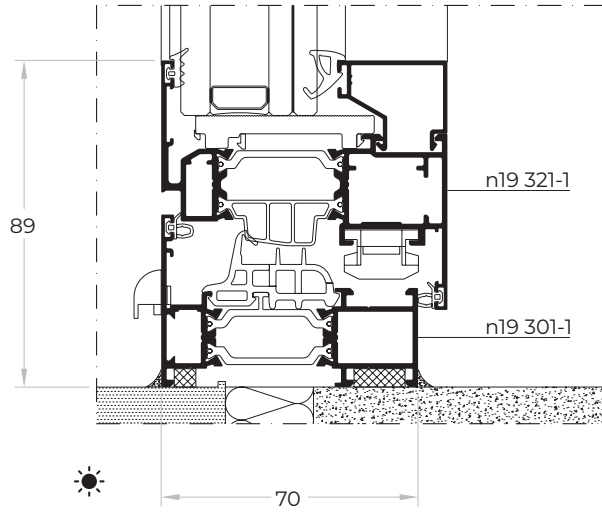
**N19 300-2 RETA (RT)**



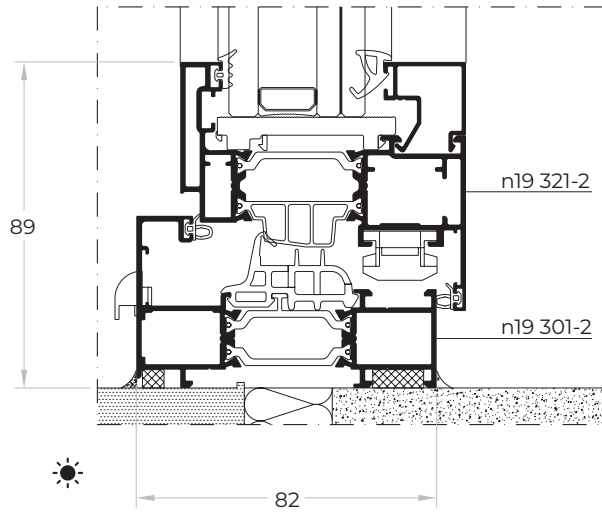
**N19 300-3 CURVA (CR)**



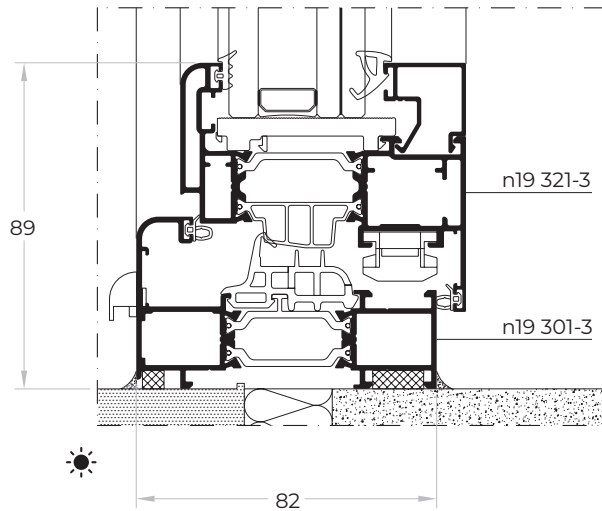
**LINHA FLAT**



**LINHA RETA**

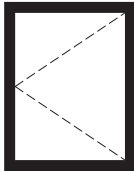


**LINHA CURVA**

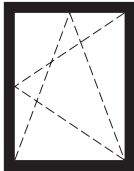




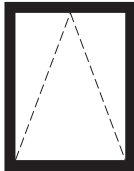
**FIXO**  
FIXED WINDOW



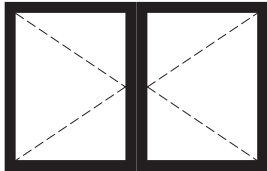
**BATENTE**  
**(ABERTURA INT. OU EXT.)**  
SIDE HUNG WINDOW (IN-  
WARD OR OUTWARD VENT)



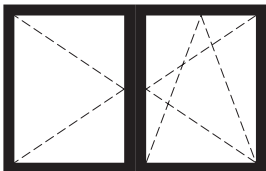
**OSCILOBATENTE**  
TILT AND TURN WINDOW



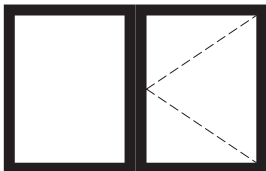
**BASCULANTE**  
BOTTOM HUNG WINDOW



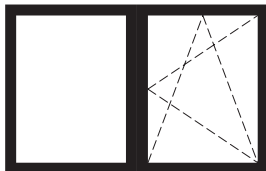
**BATENTE 2 FOLHAS**  
**(ABERTURA INT. OU EXT.)**  
2 SASHES SIDE HUNG WINDOW  
(INWARD OR OUTWARD VENT)



**OSCILOBATENTE 2 FOLHAS**  
2 SASHES TILT AND TURN WINDOW



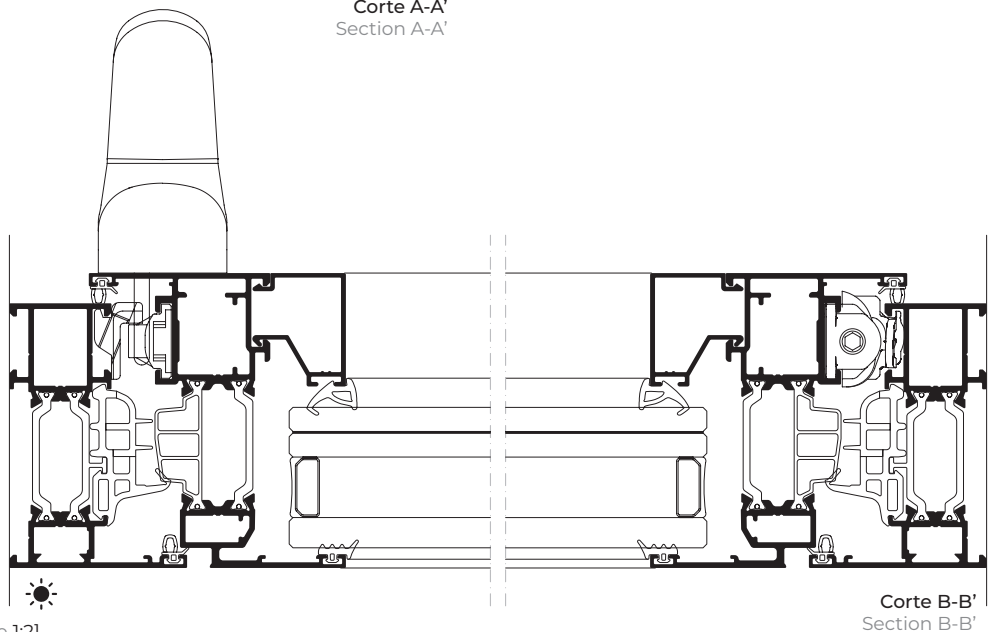
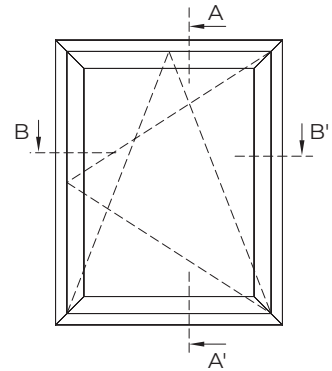
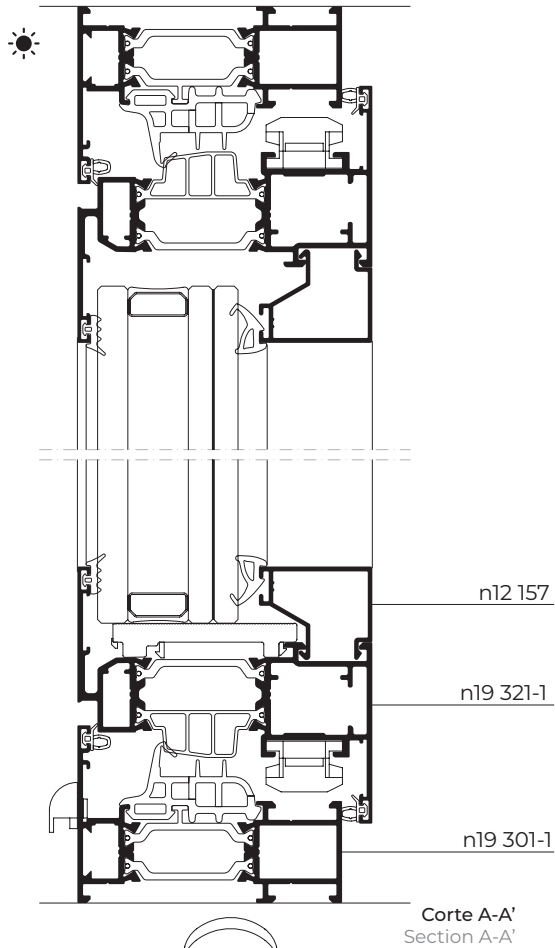
**BATENTE + FIXO**  
SIDE HUNG WINDOW + FIXED WINDOW



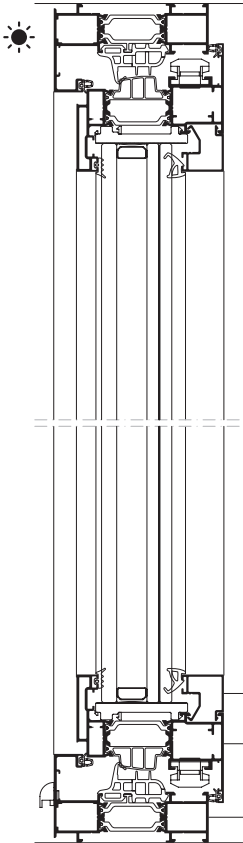
**OSCILOBATENTE + FIXO**  
TILT AND TURN WINDOW + FIXED WINDOW



# MONTAGENS E TIPOLOGIAS ASSEMBLIES AND TYPOLOGIES

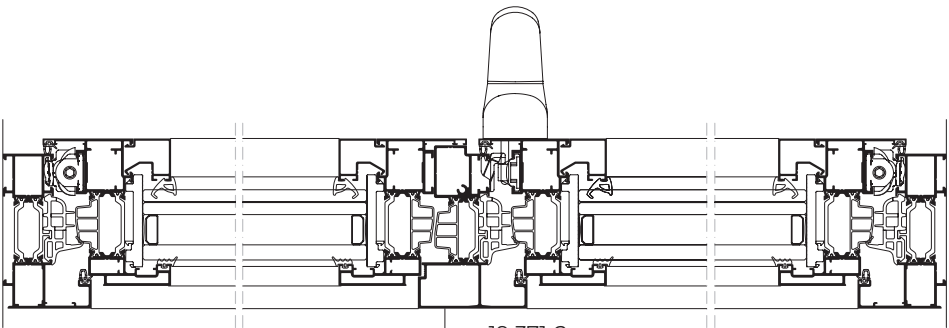
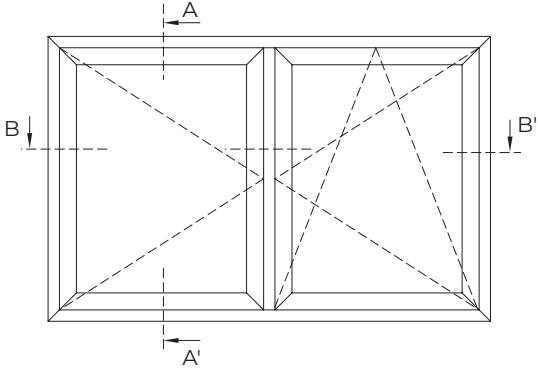


[escala scale 1:2]



n12 059  
n19 321-2  
n19 301-2

Corte A-A'  
Section A-A'

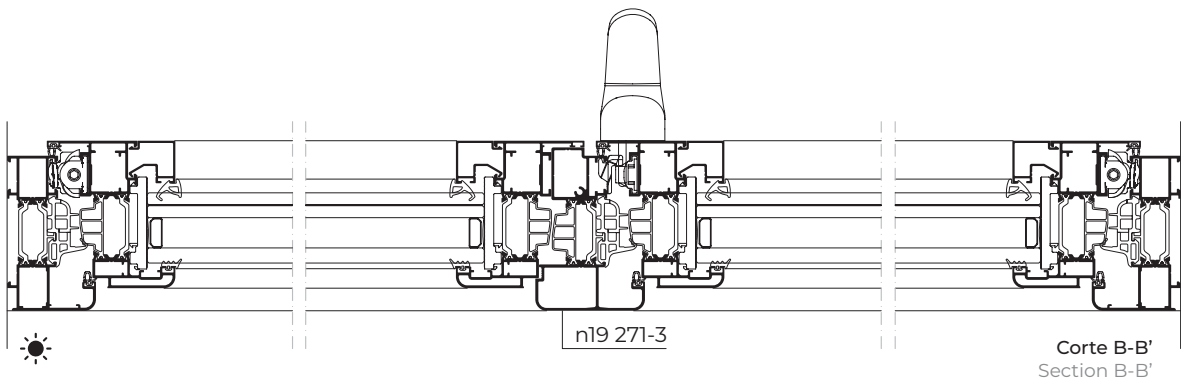
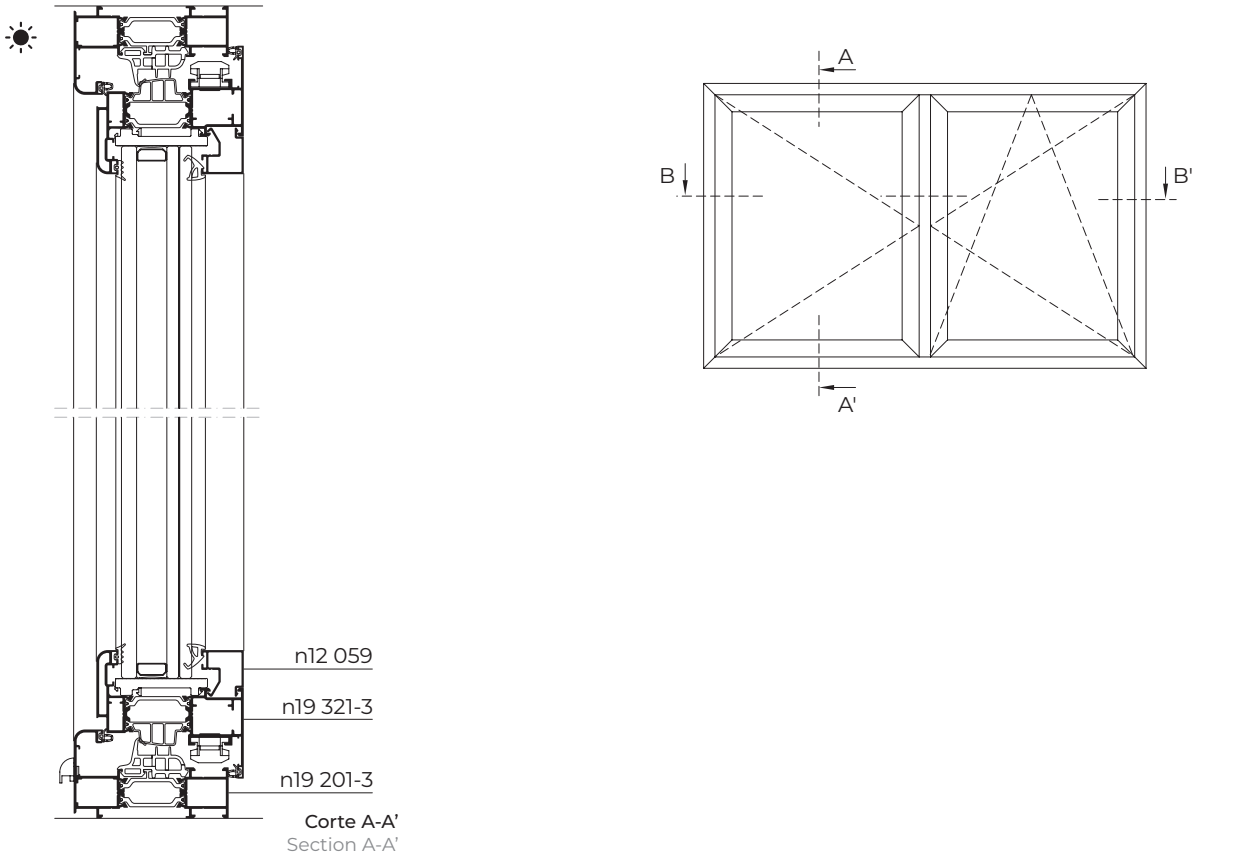


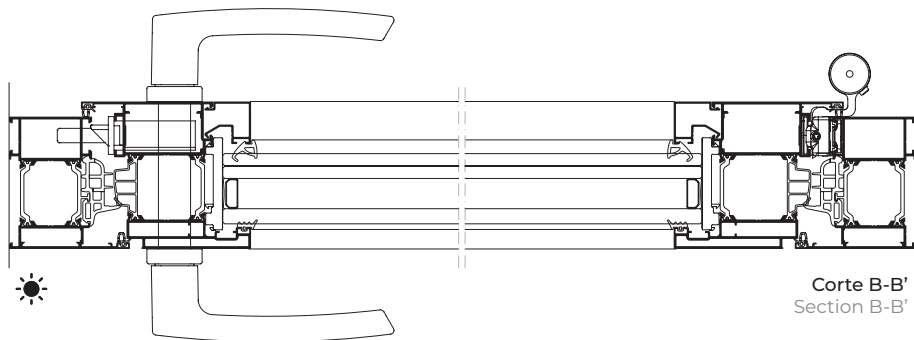
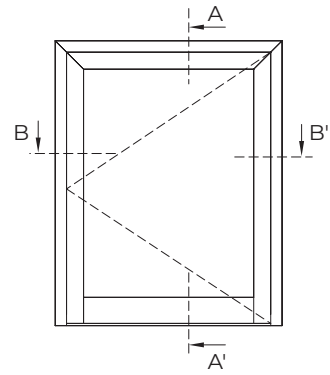
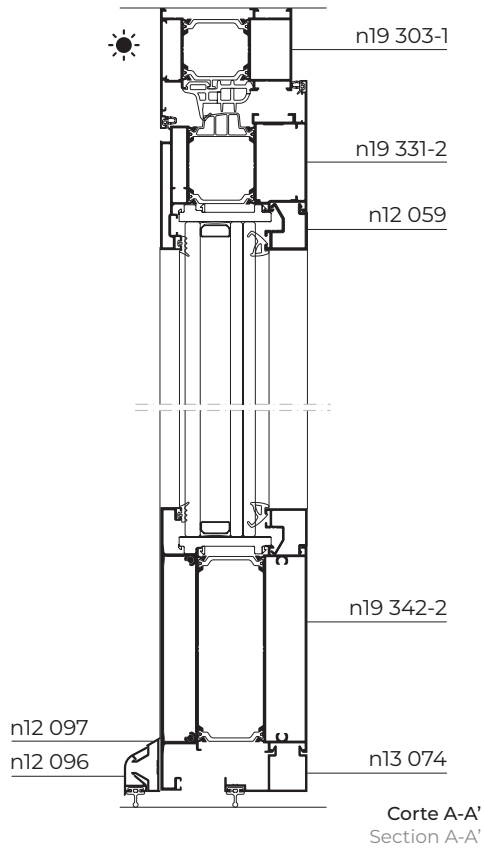
n19 371-2

Corte B-B'  
Section B-B'



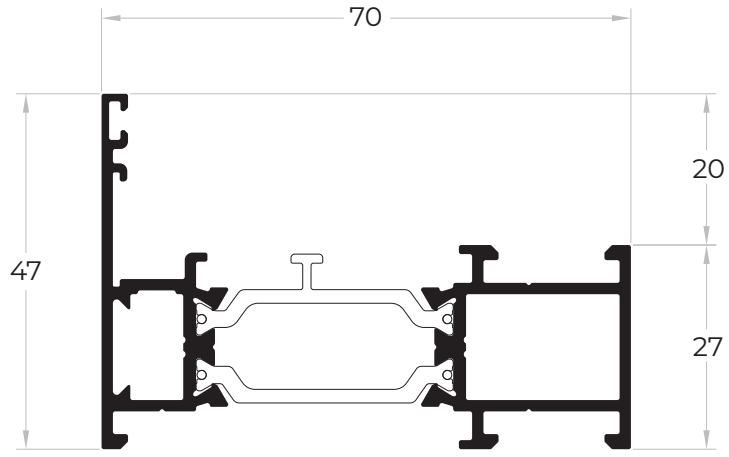
# MONTAGENS E TIPOLOGIAS ASSEMBLIES AND TYPOLOGIES



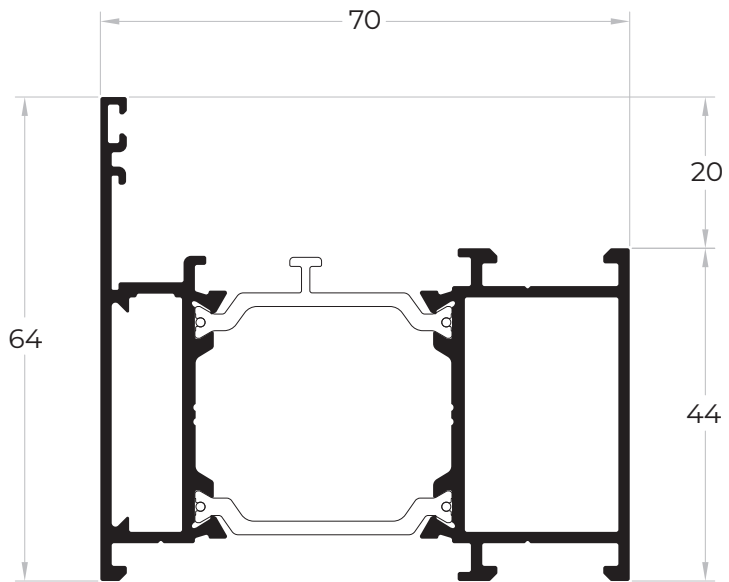




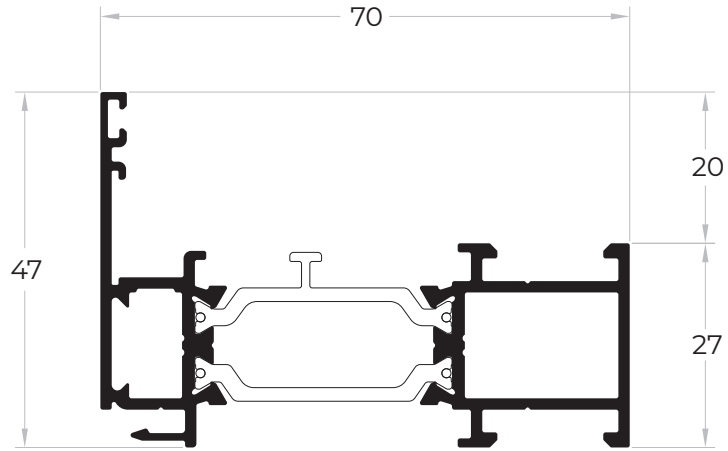
# PERFIS PROFILES



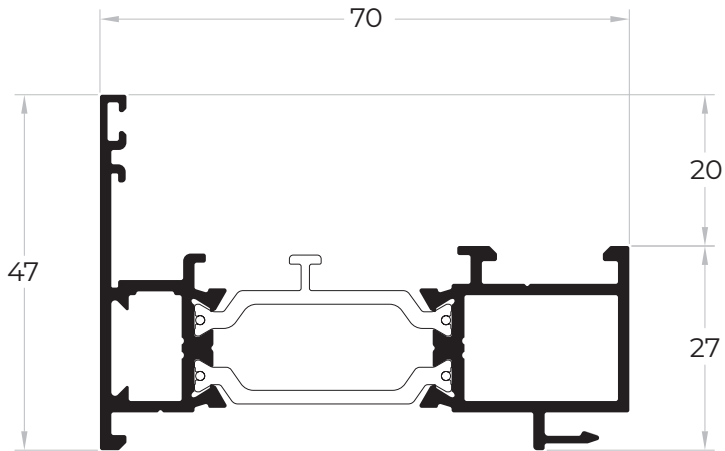
ref: **n19 301-1**



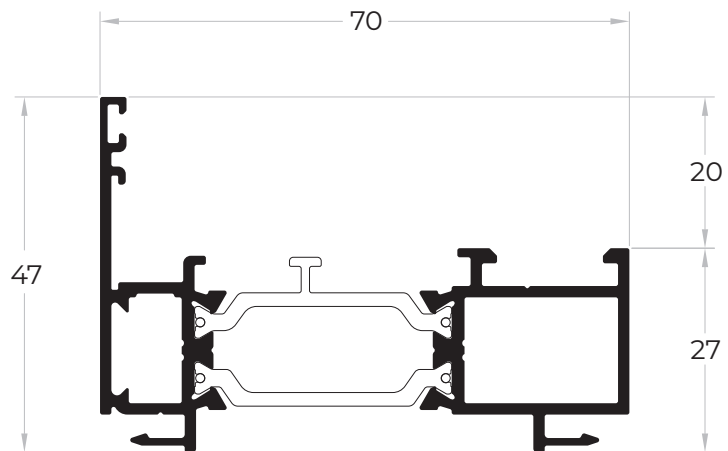
ref: **n19 303-1**



ref: **n19 305-1**



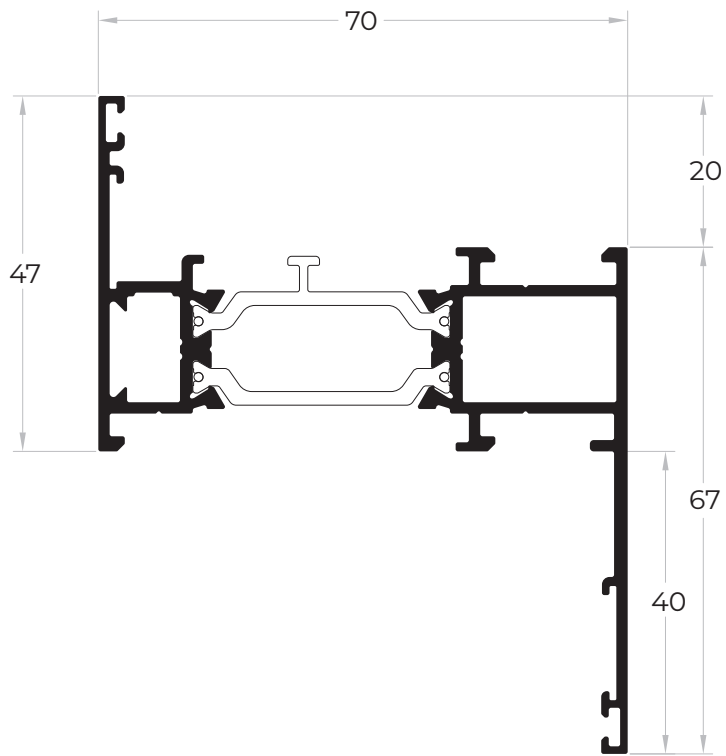
ref: **n19 306-1**



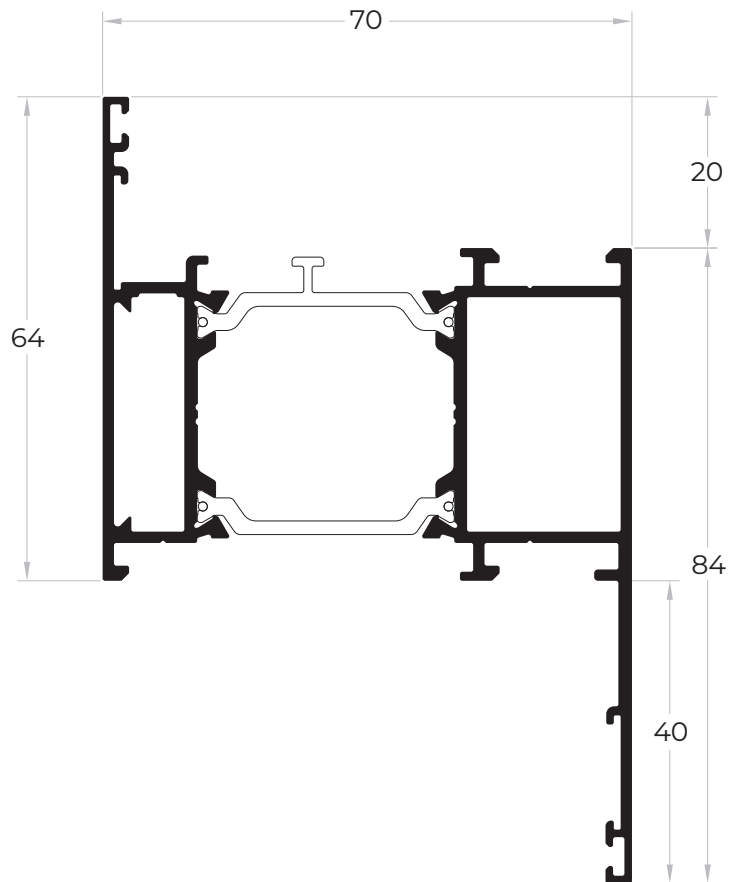
ref: **n19 302-1**



# PERFIS PROFILES



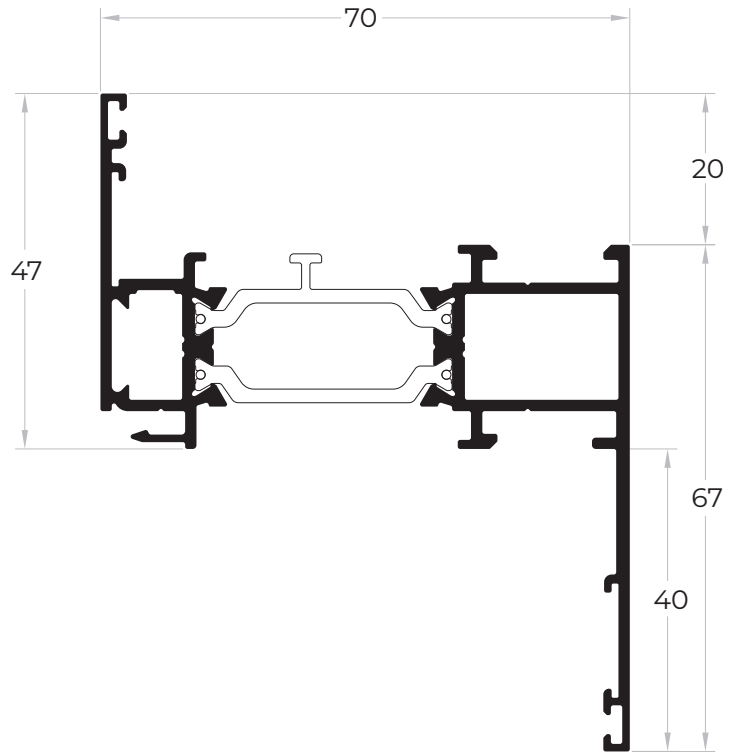
ref: [n19 307-1](#)



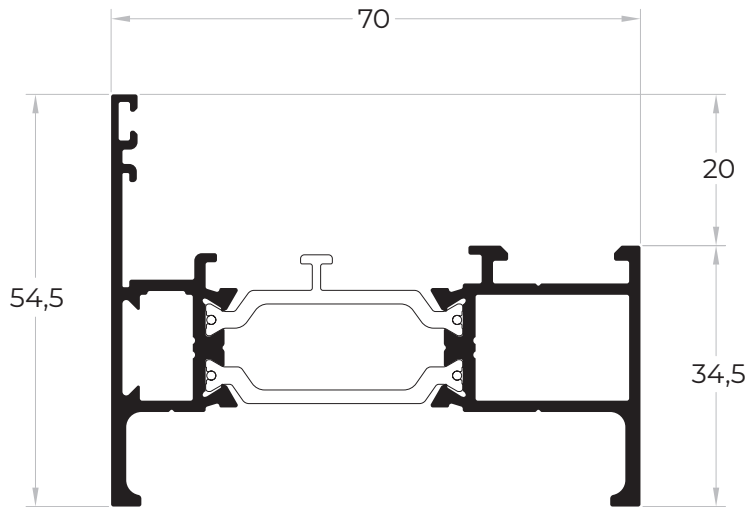
ref: [n19 309-1](#)



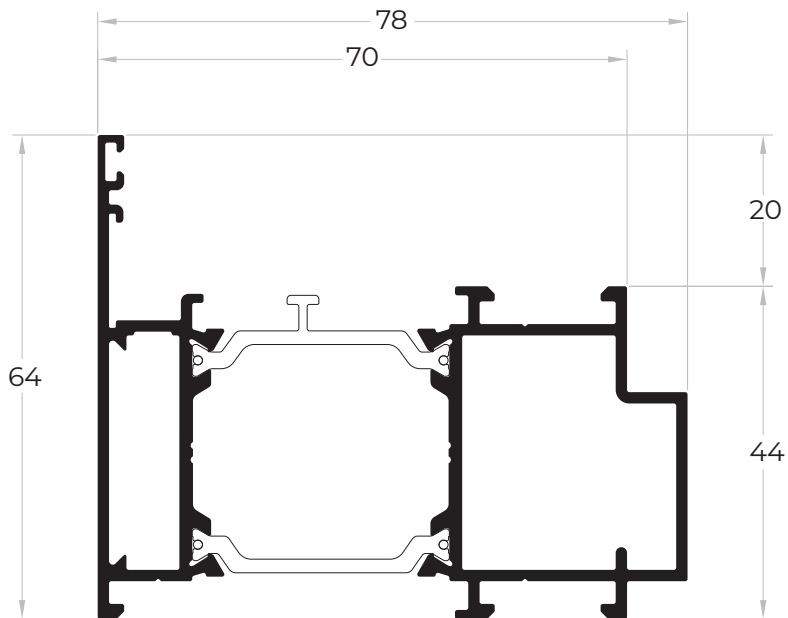
# PERFIS PROFILES



ref: [n19 308-1](#)



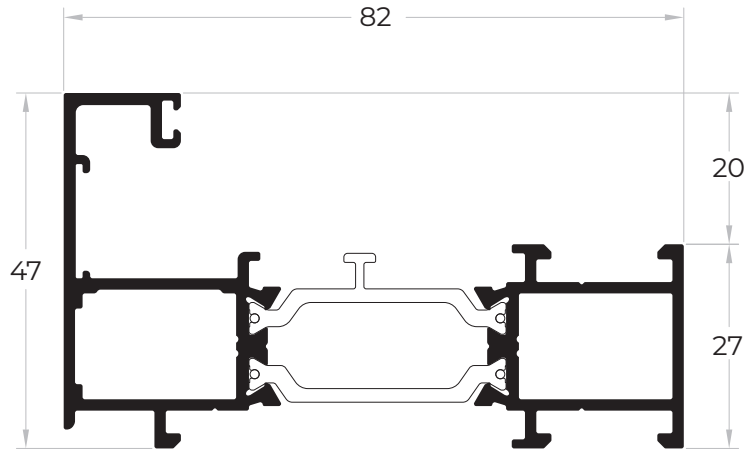
ref: **n19 310-1**



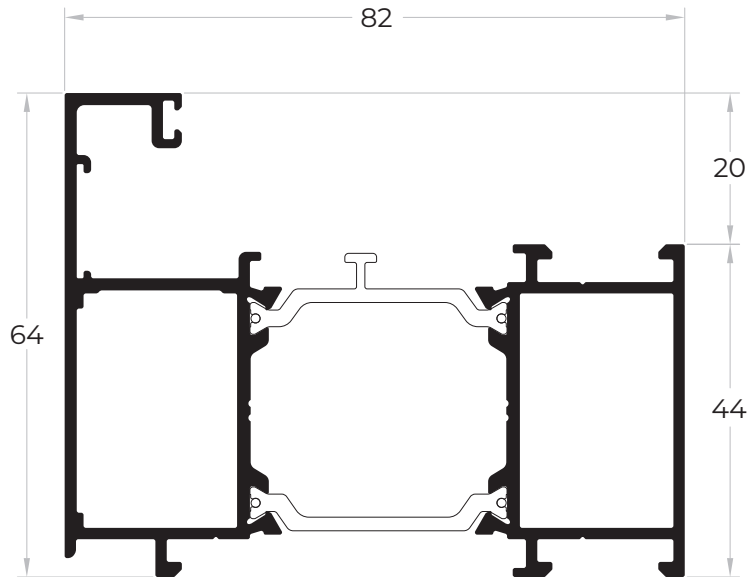
ref: **n19 304-1**



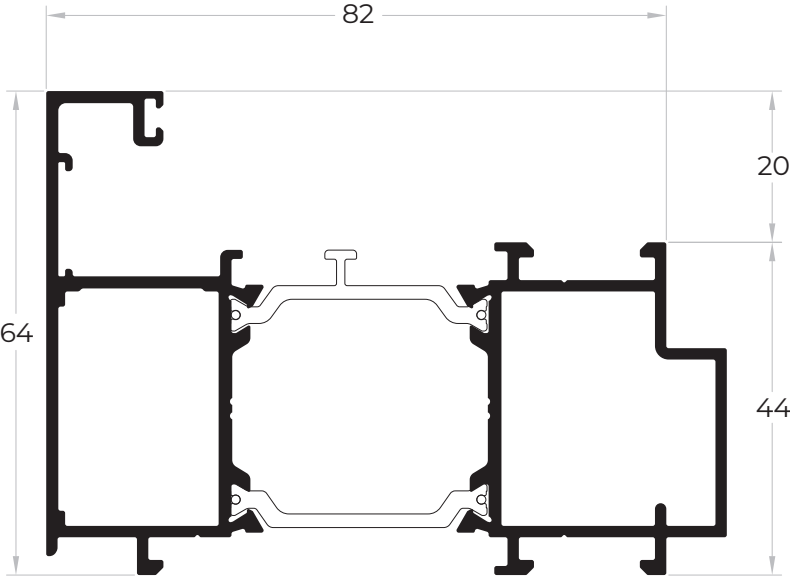
# PERFIS PROFILES



ref: **n19 301-2**



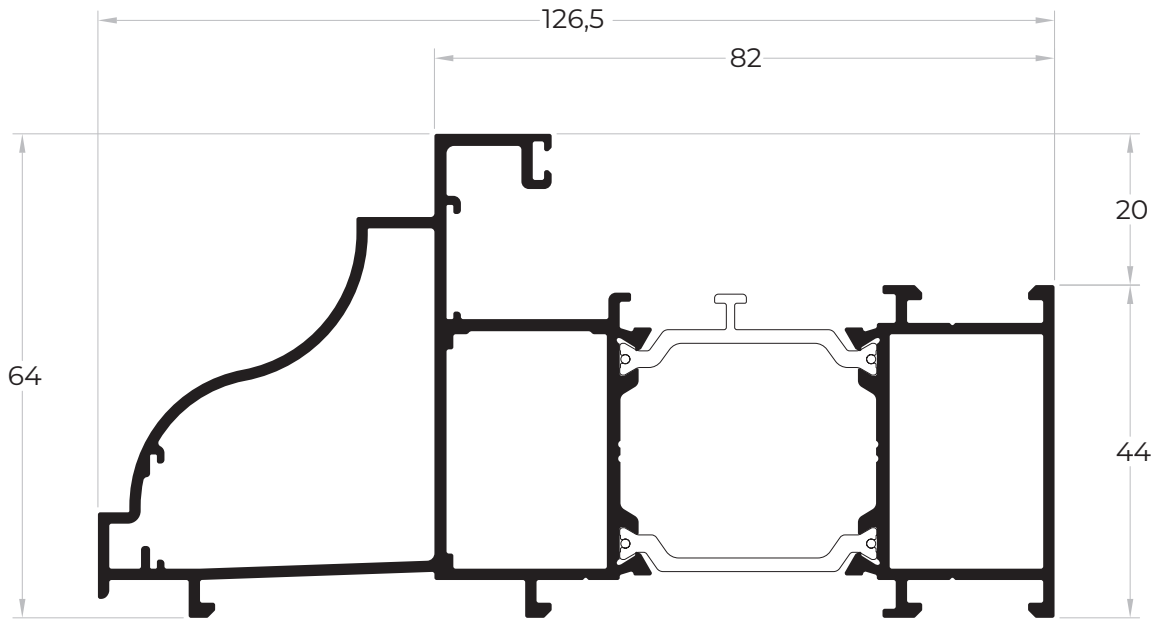
ref: **n19 303-2**



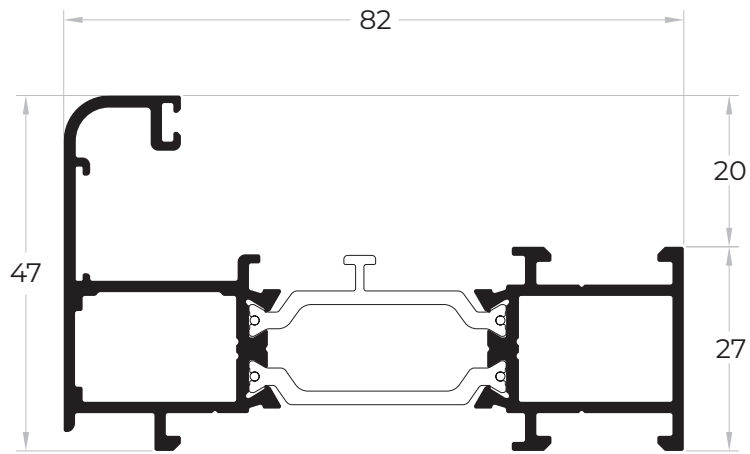
ref: n19 304-2



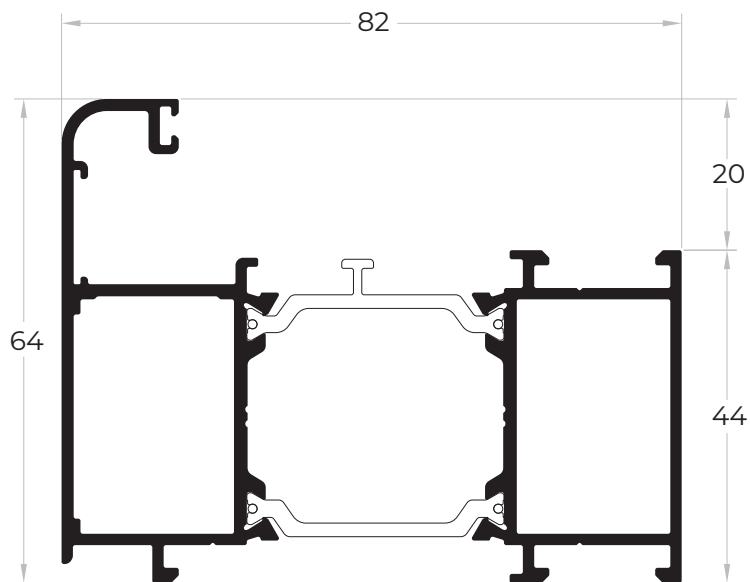
# PERFIS PROFILES



ref: [n19 303-5](#)



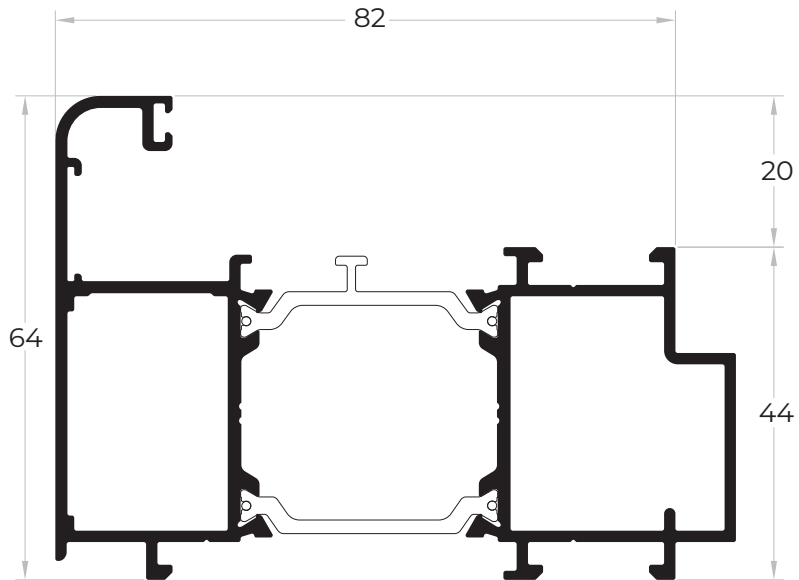
ref: **n19 301-3**



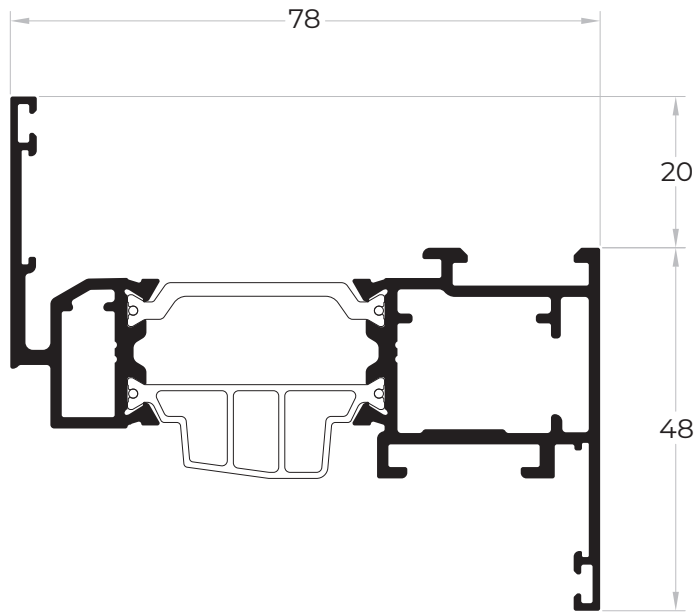
ref: **n19 303-3**



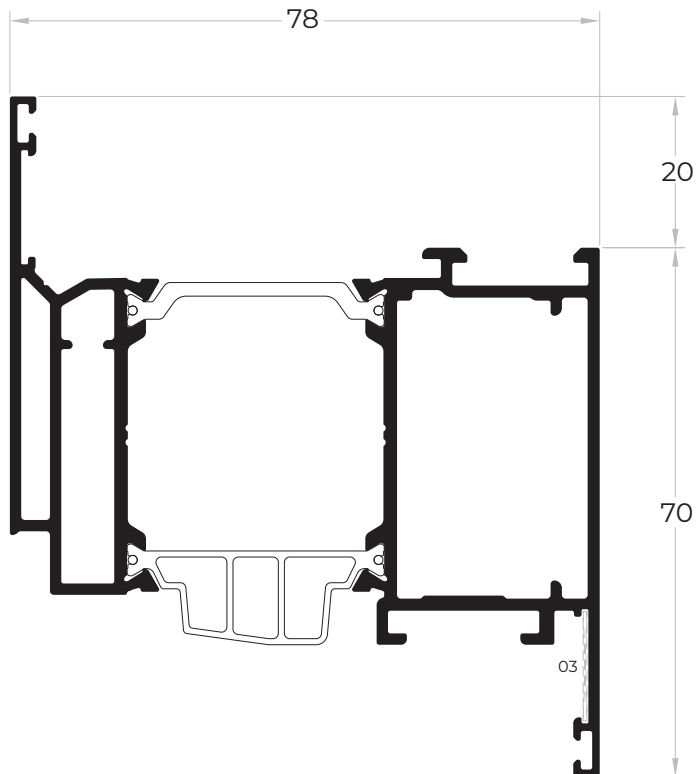
# PERFIS PROFILES



ref: [n19 304-3](#)



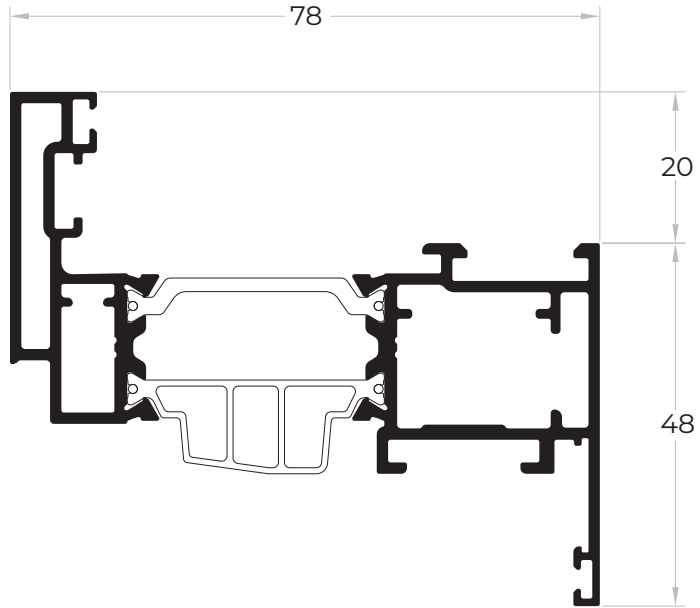
ref: **n19 321-1**



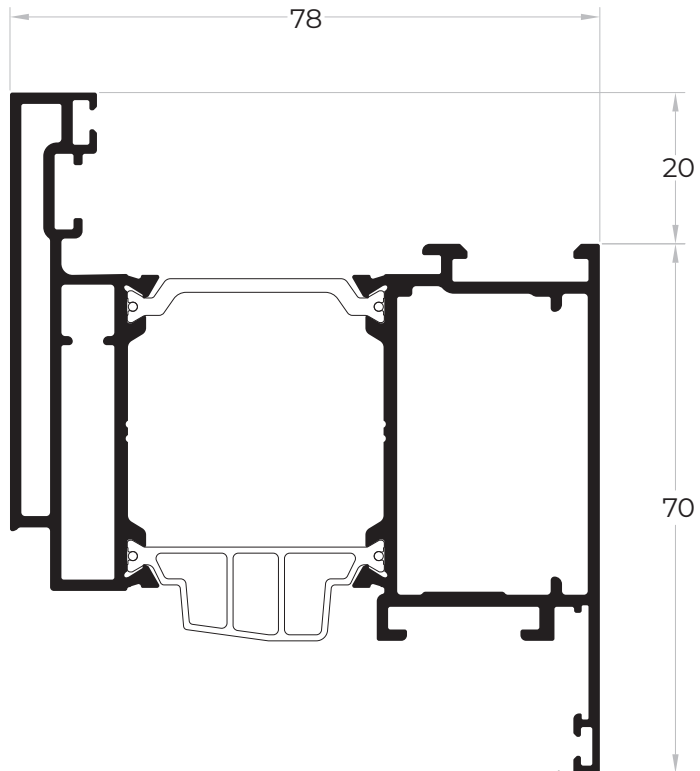
ref: **n19 331-1**



# PERFIS PROFILES

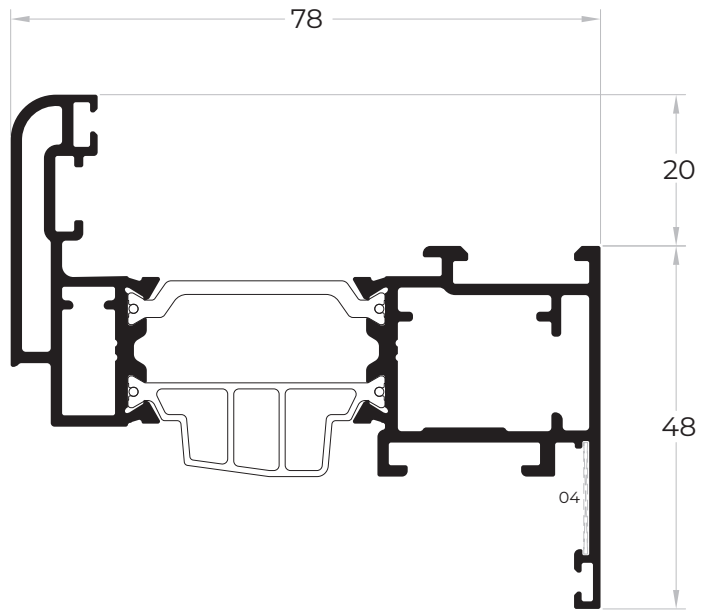


ref. **n19 321-2**

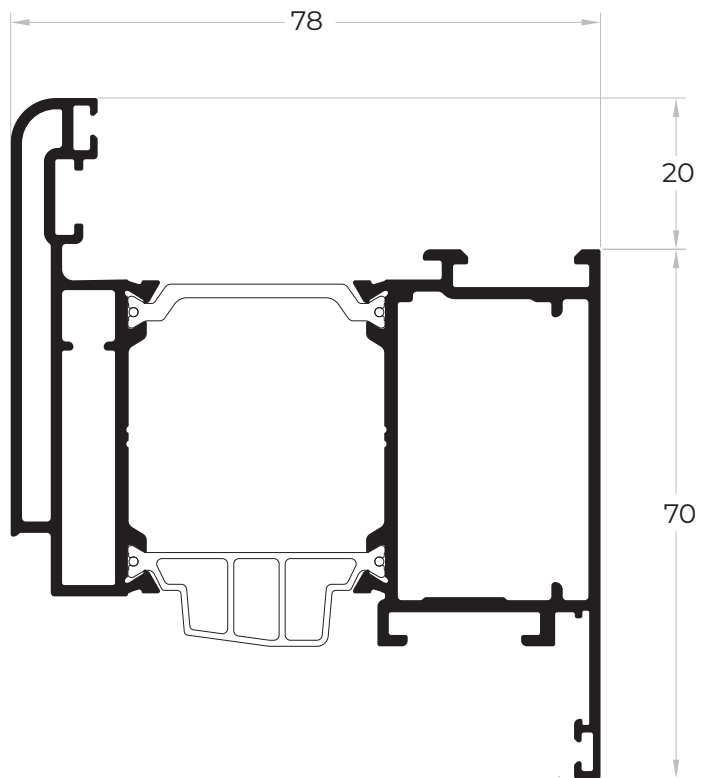


[escala scale 1:1]

ref. **n19 331-2**



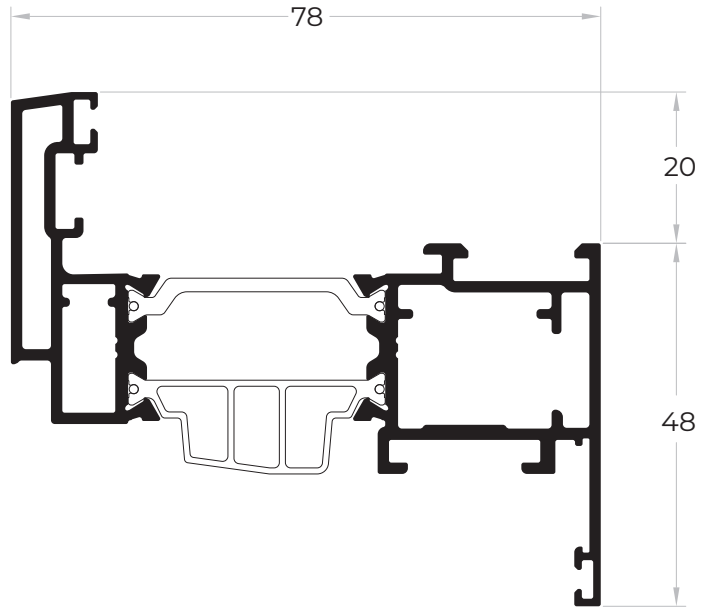
ref: **n19 321-3**



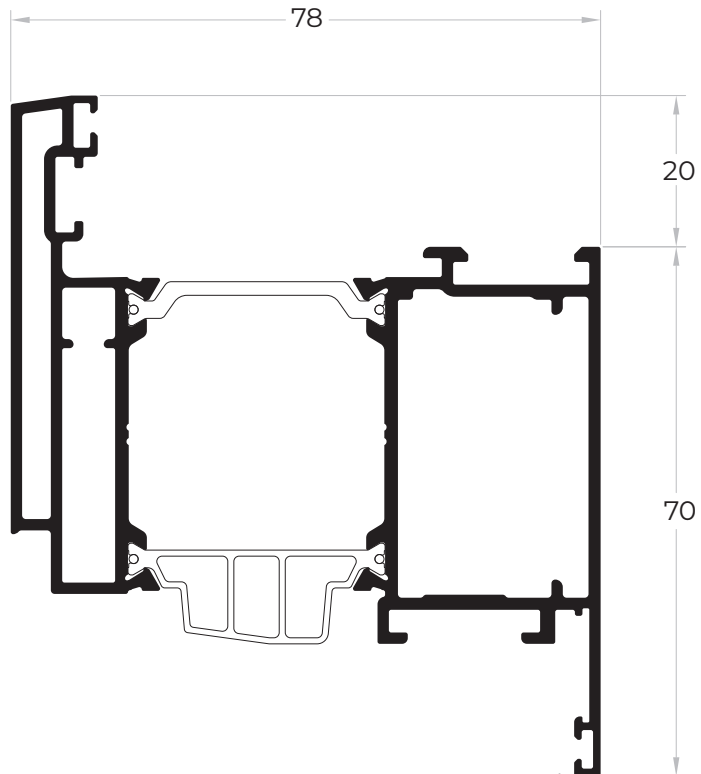
ref: **n19 331-3**



# PERFIS PROFILES

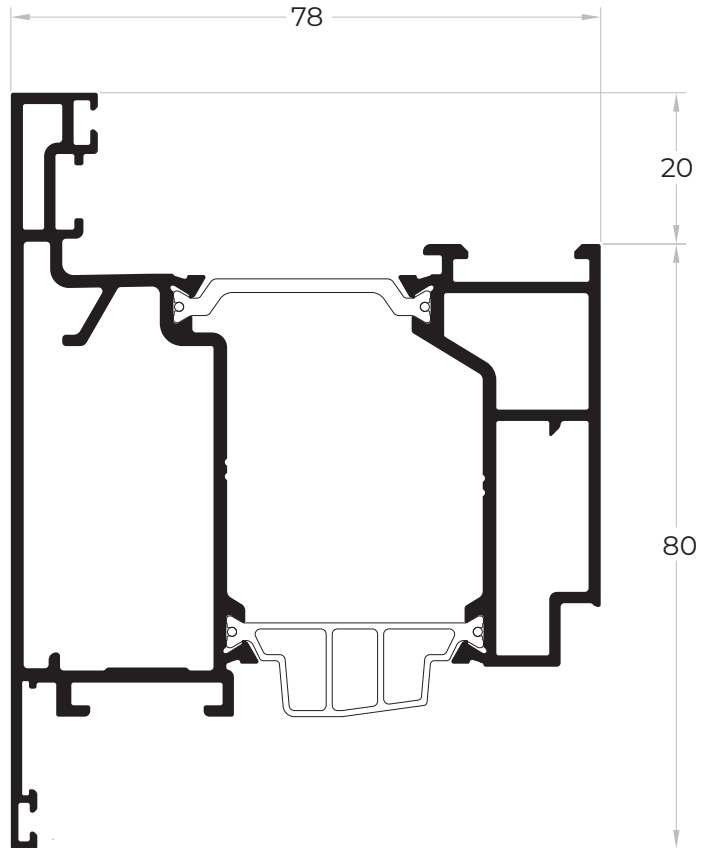


ref: **n19 321-4**



[escala scale 1:1]

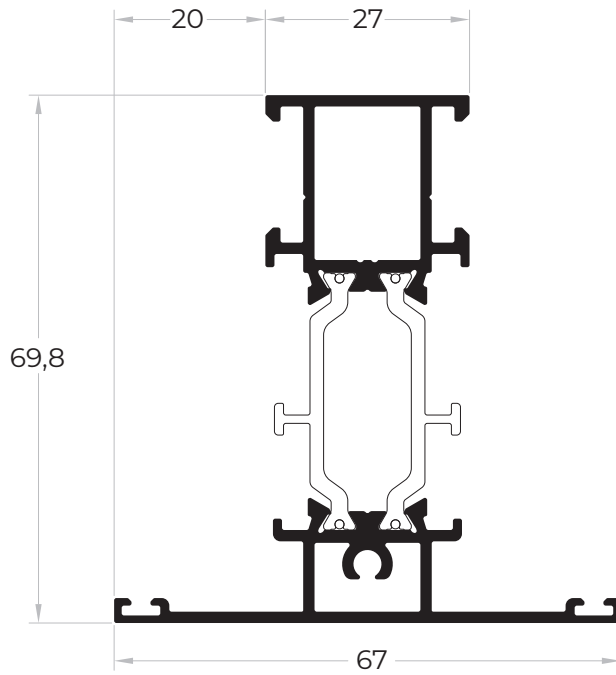
ref: **n19 331-4**



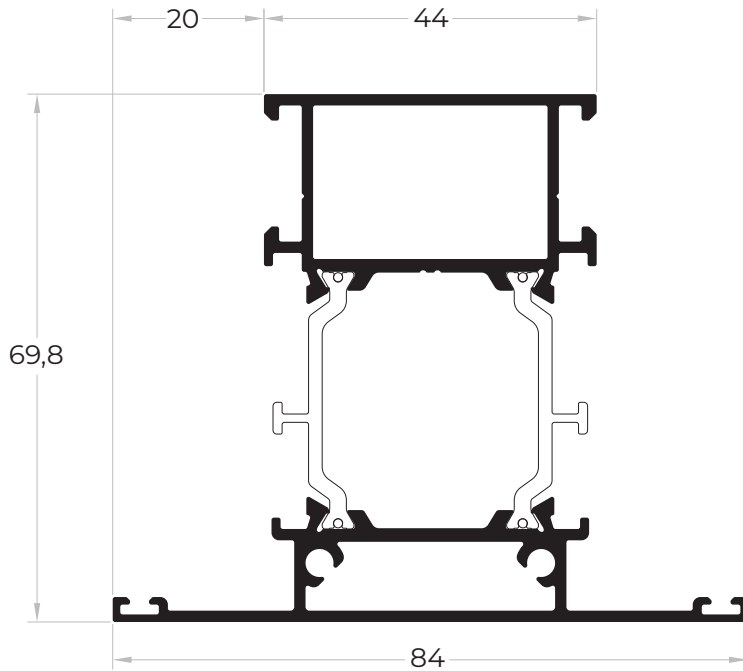
ref: **n19 335-2**



# PERFIS PROFILES

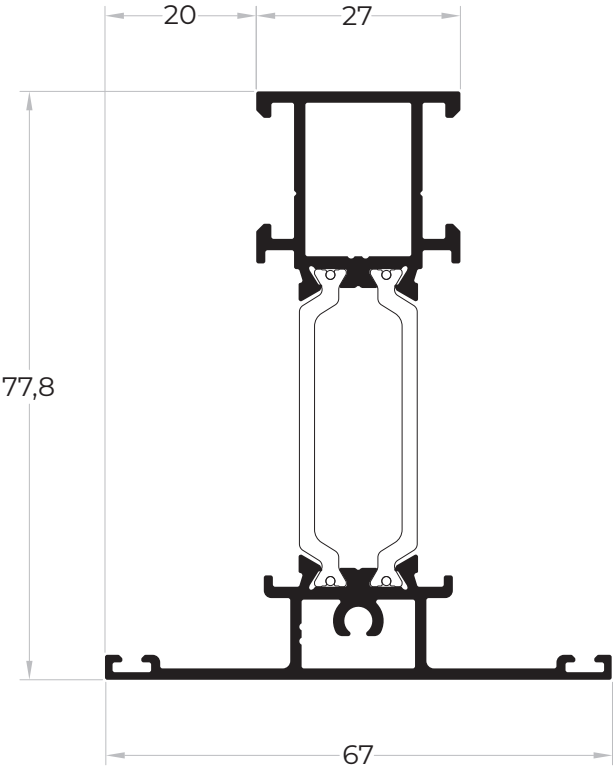


ref: **n19 311-1**



[escala scale 1:1]

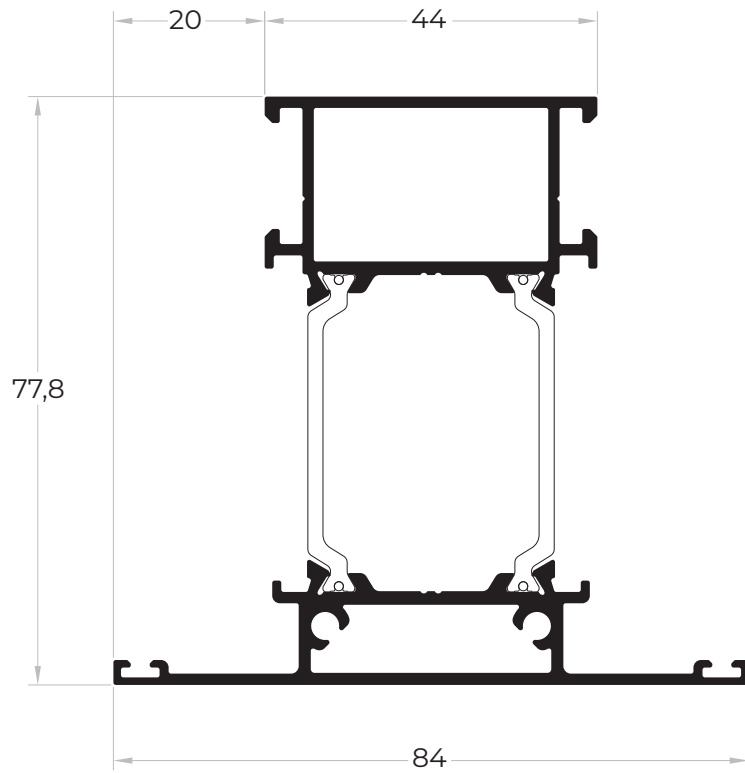
ref: **n19 312-1**



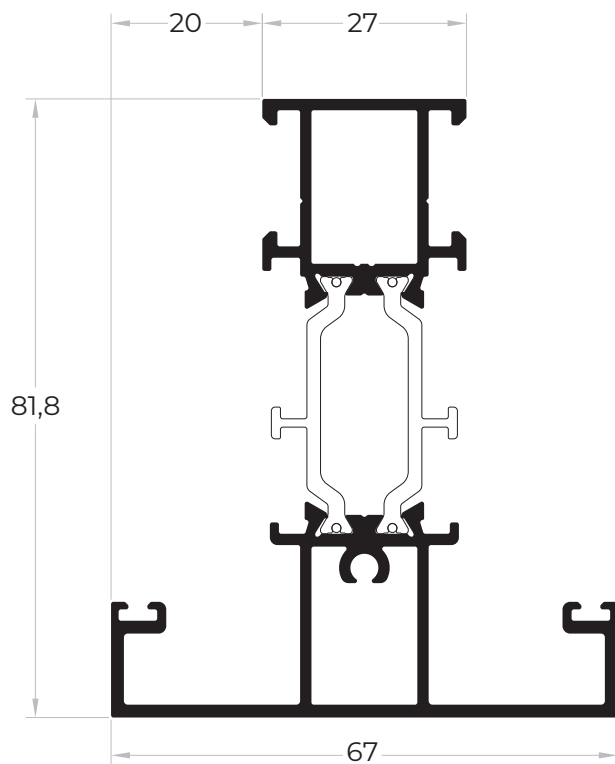
ref: **n19 313-1**



# PERFIS PROFILES



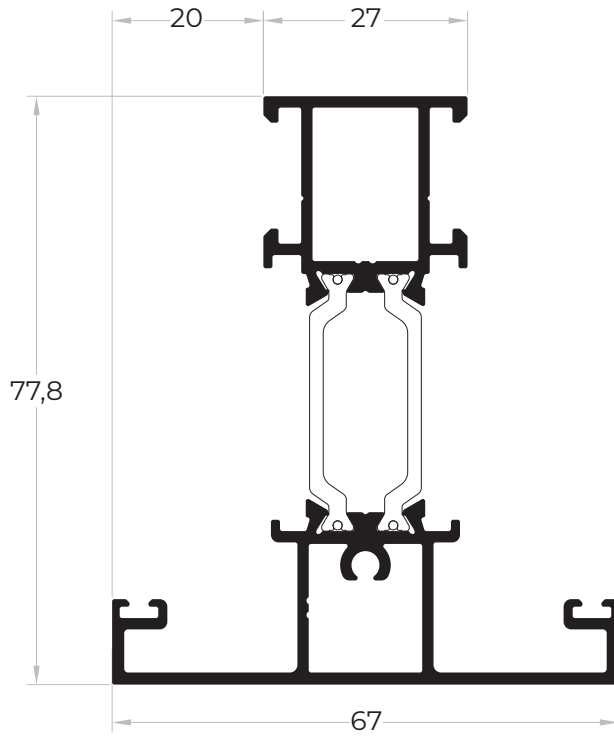
ref: [n19 314-1](#)



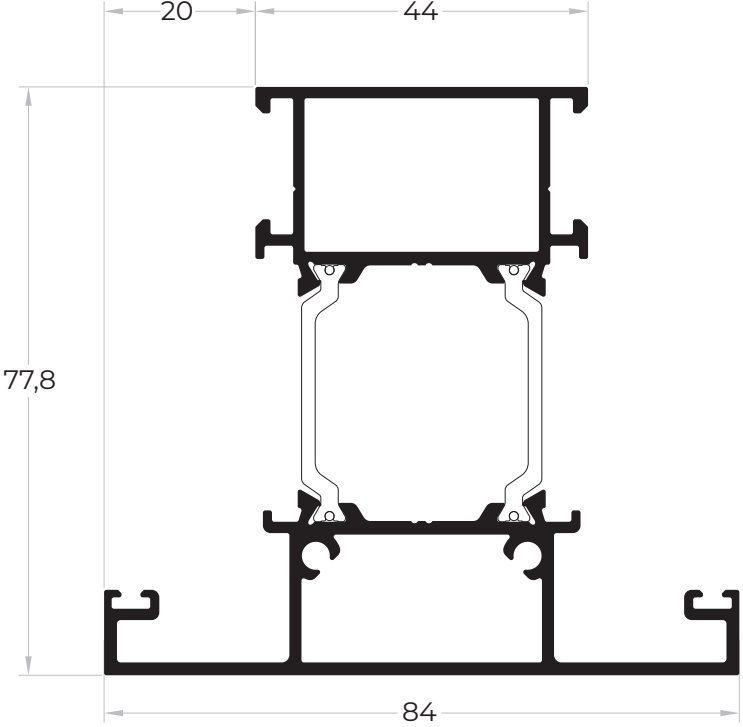
ref: **n19 311-2**



# PERFIS PROFILES



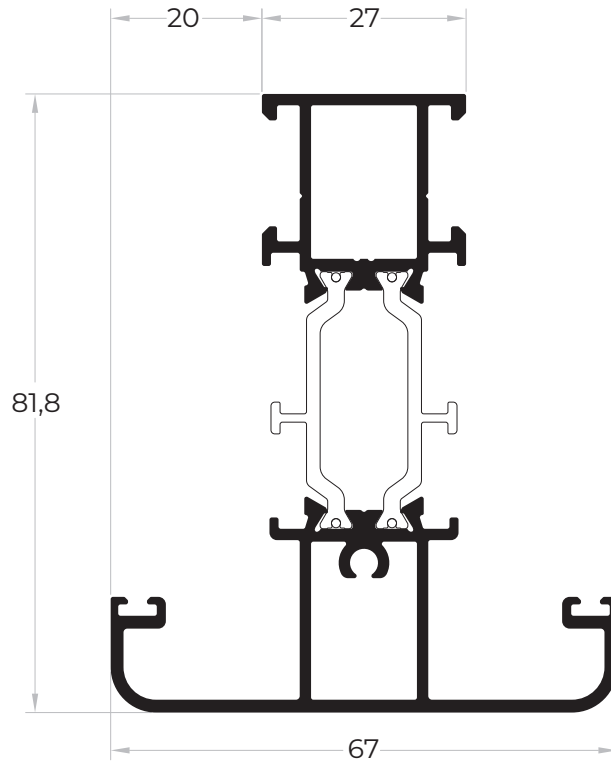
ref: **n19 313-2**



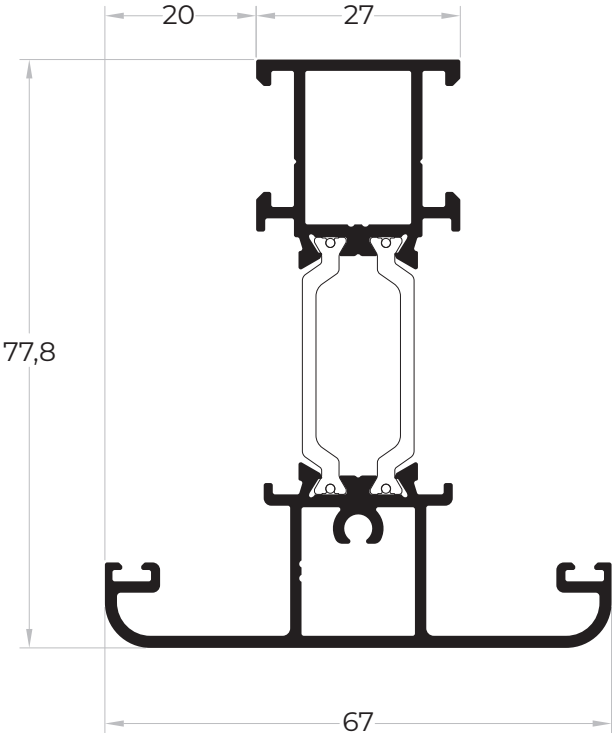
ref: **n19 314-2**



# PERFIS PROFILES



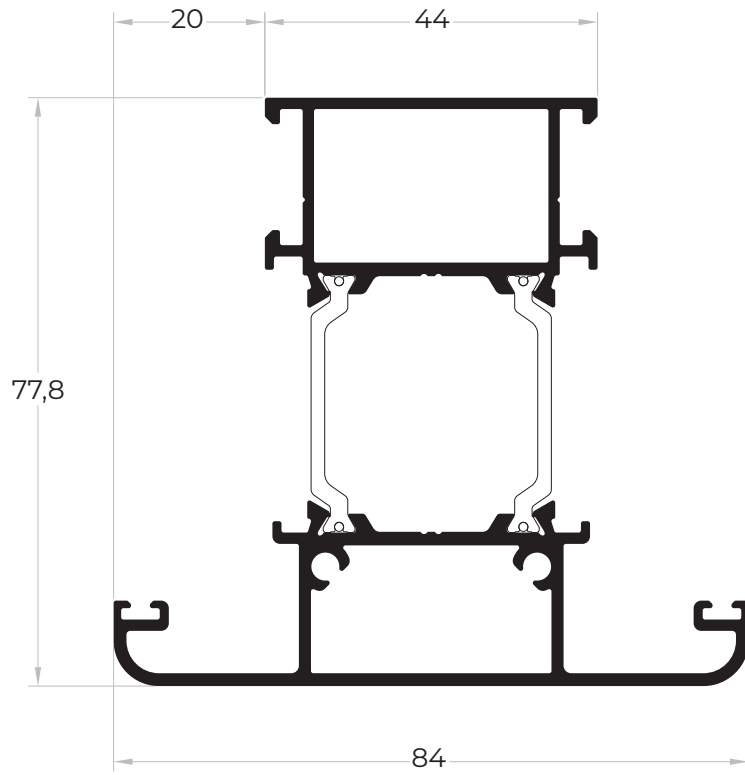
ref: [n19 311-3](#)



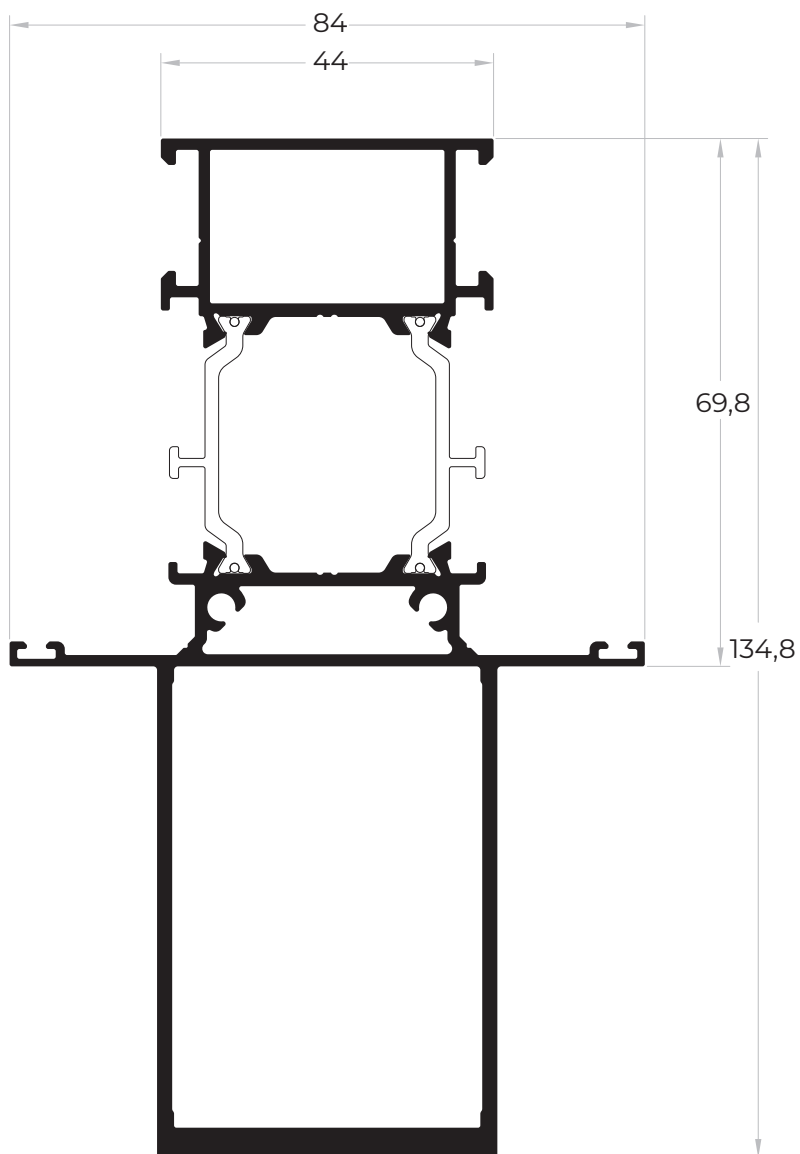
ref: **n19 313-3**



# PERFIS PROFILES



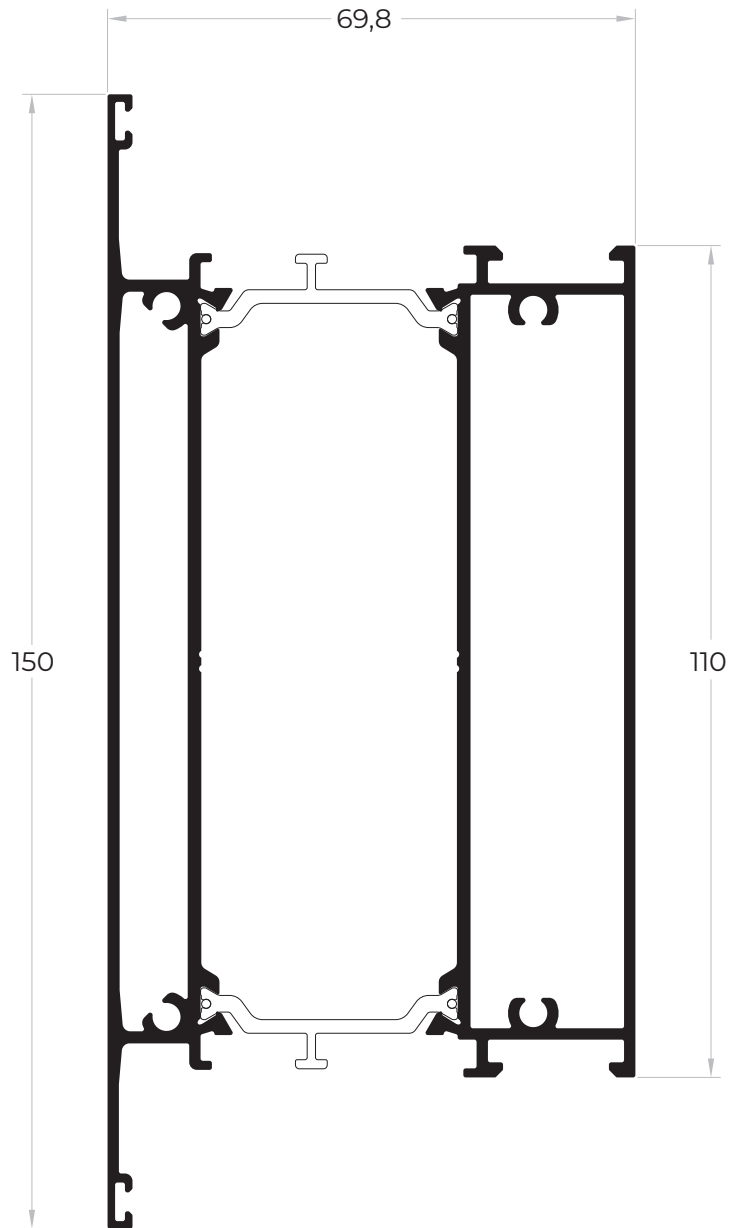
ref: [n19 314-3](#)



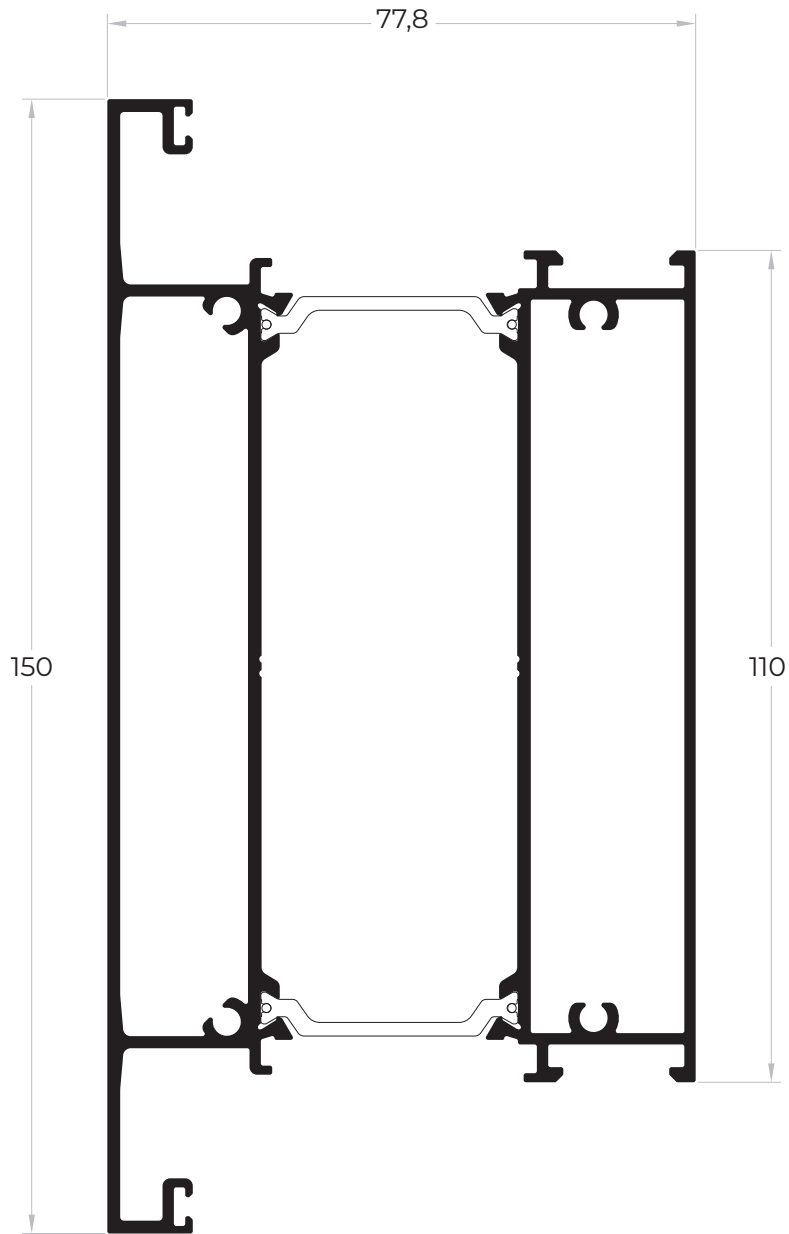
ref: **n19 319-1**



# PERFIS PROFILES



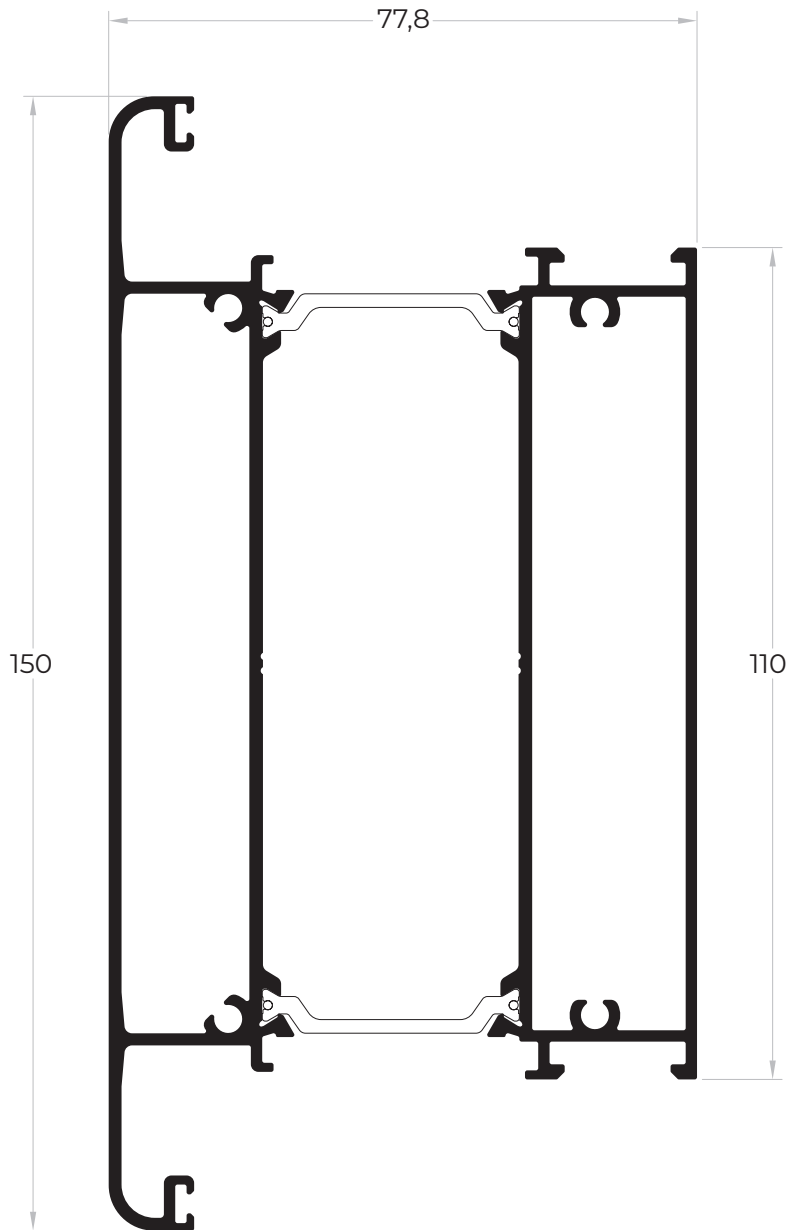
ref: [n19 341-1](#)



ref: [n19 342-2](#)

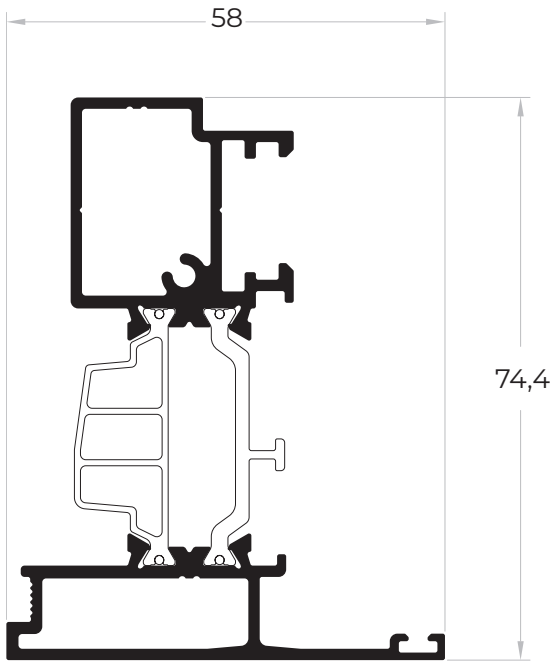


# PERFIS PROFILES

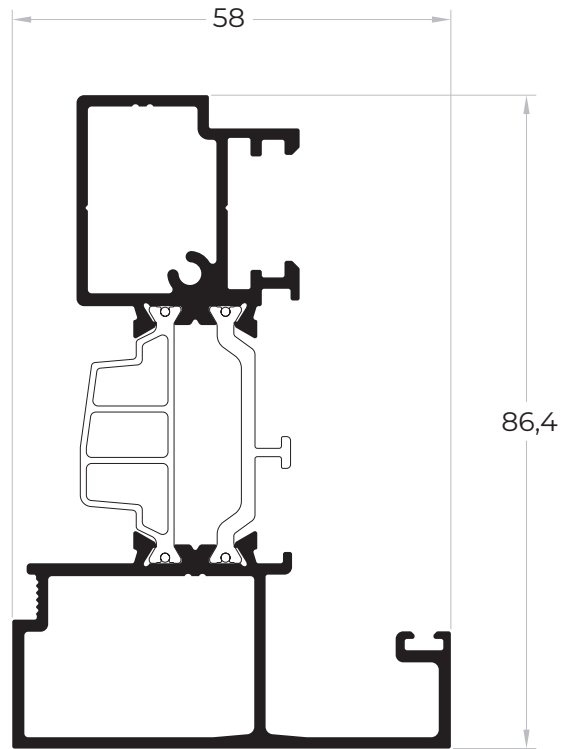


ref: [n19 342-3](#)

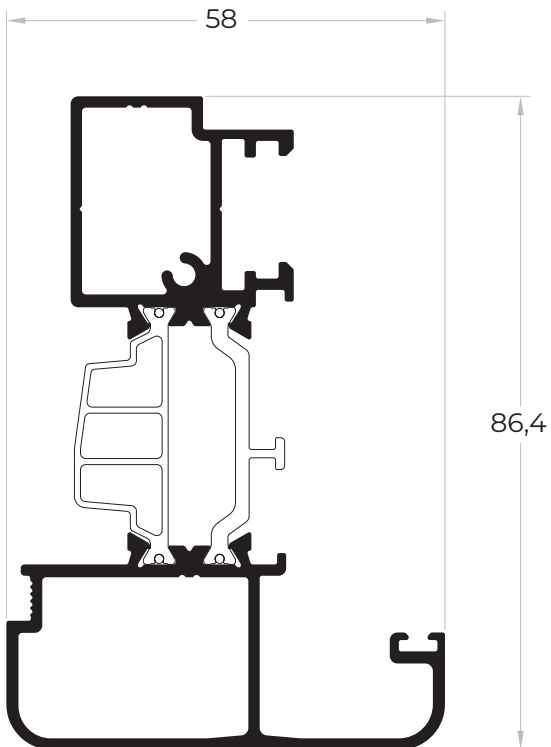
# PERFIS PROFILES



ref: **n19 371-1**



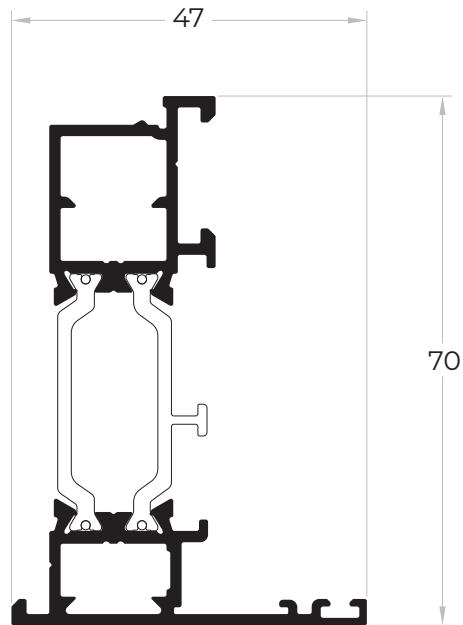
ref: **n19 371-2**



ref: **n19 371-3**



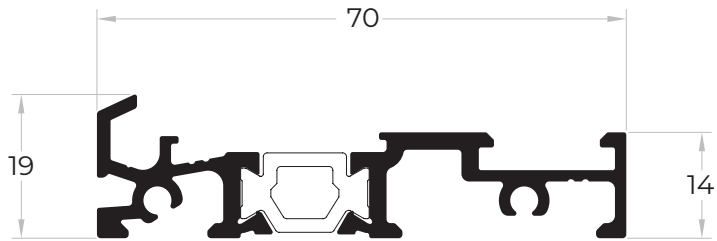
# PERFIS PROFILES



ref: **n19 374-1**



## SOLEIRA SILL

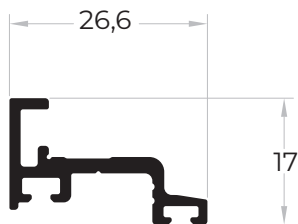


ref: **n19 388**

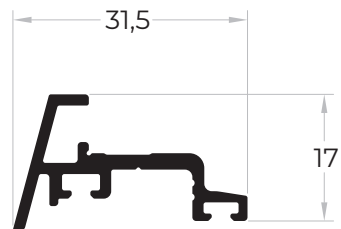


ref: **n32 370**

## PERFIS COMPLEMENTARES ADDITIONAL PROFILE



ref: **n19 283**

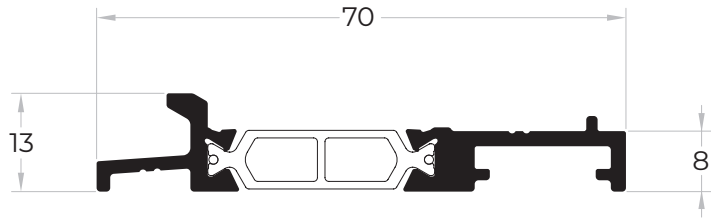


ref: **n19 284**

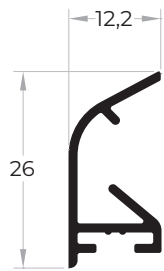


## PERFIS PROFILES

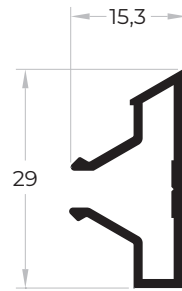
---



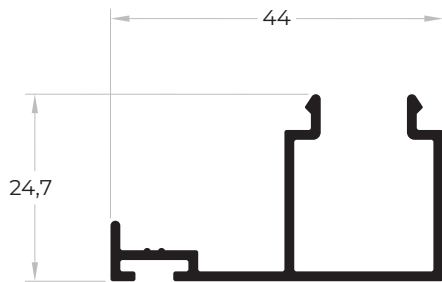
ref: **n19 385**



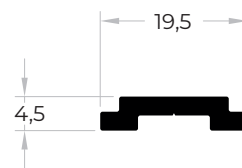
ref: **n19 096**



ref: **n19 097**



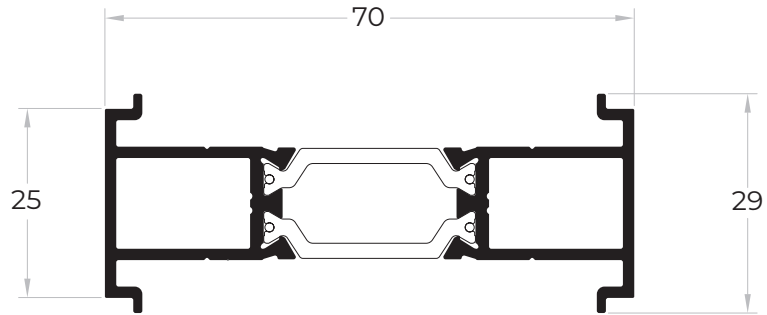
ref: **n19 074**



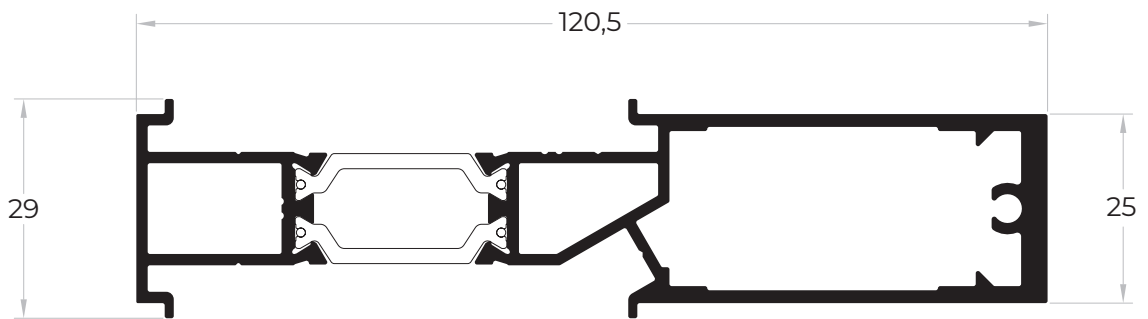
ref: **n12 094**



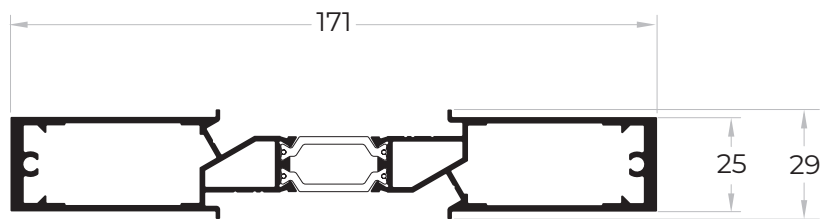
# PERFIS PROFILES



ref: **n19 376**



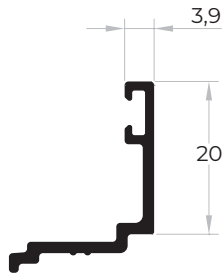
ref: **n19 377**



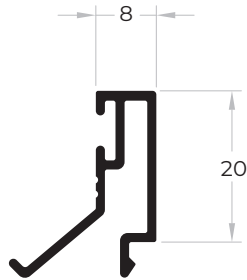
[escala scale 1:2]

ref: **n19 378**

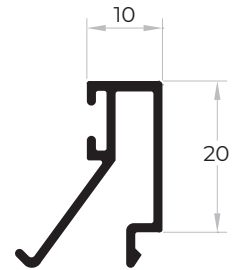
[escala scale 1:1]



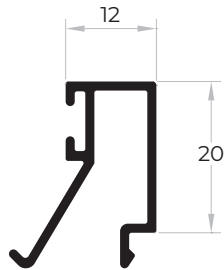
ref: **n12 156**



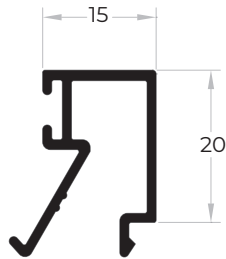
ref: **n12 050**



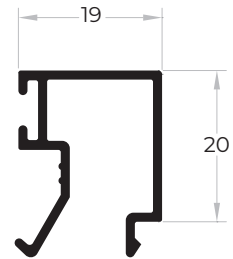
ref: **n12 052**



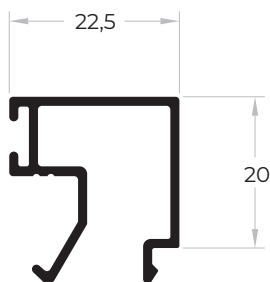
ref: **n12 053**



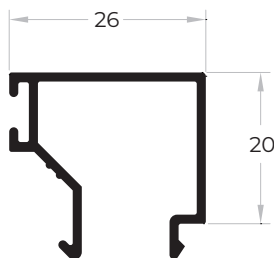
ref: **n12 058**



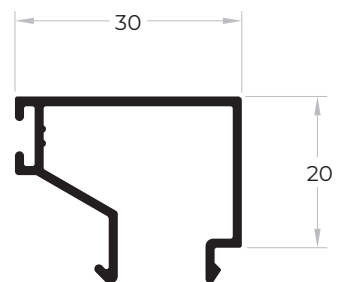
ref: **n12 054**



ref: **n12 059**



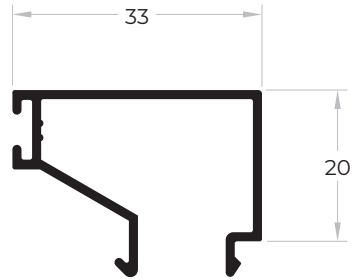
ref: **n12 055**



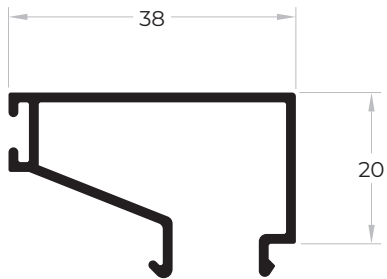
ref: **n12 157**



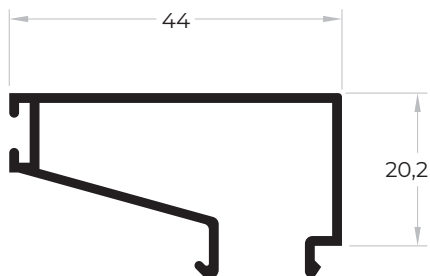
# PERFIS PROFILES



ref: **n12 056**

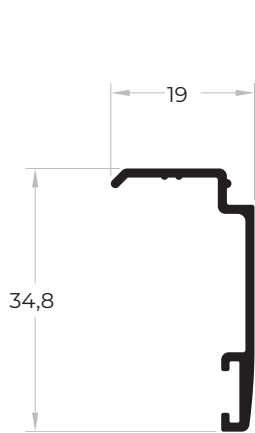


ref: **n12 057**

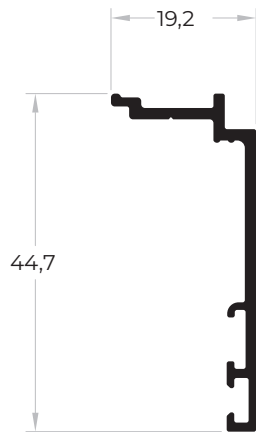


ref: **n12 060**

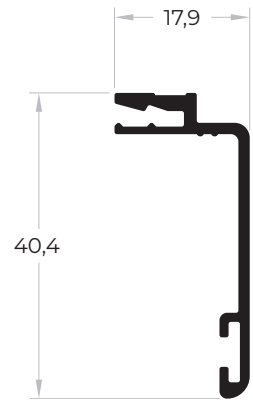
# PERFIS PROFILES



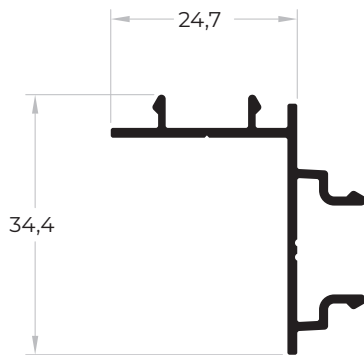
ref: **n14 047**



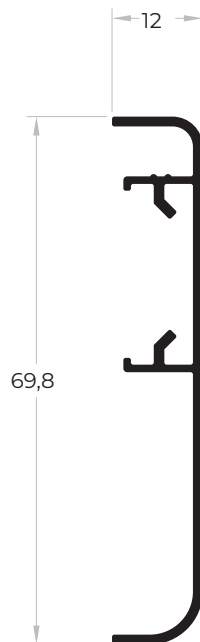
ref: **n14 048**



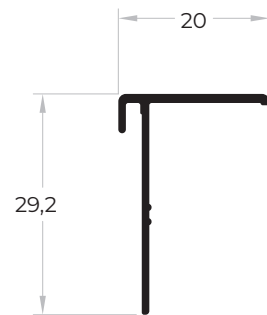
ref: **n14 053**



ref: **n14 091**



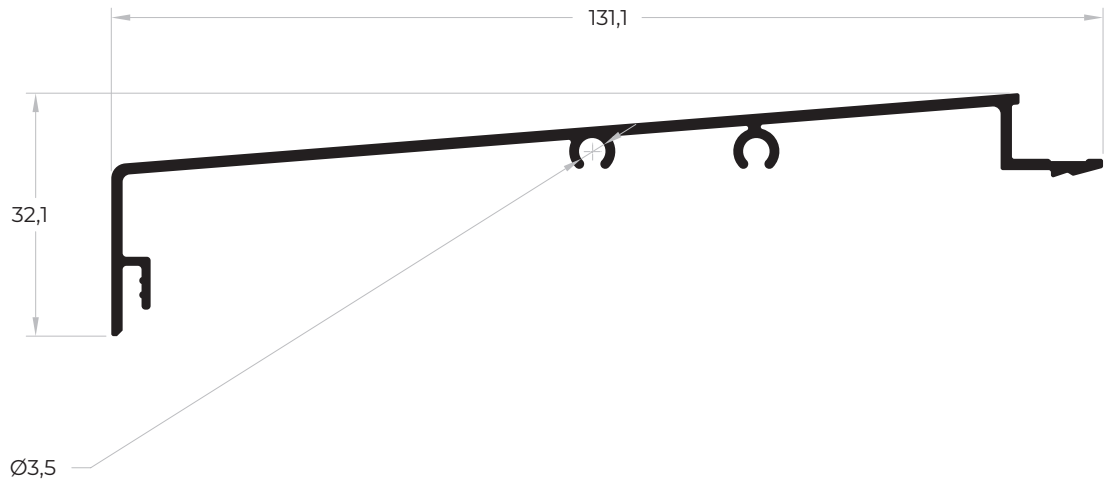
ref: **n14 092**



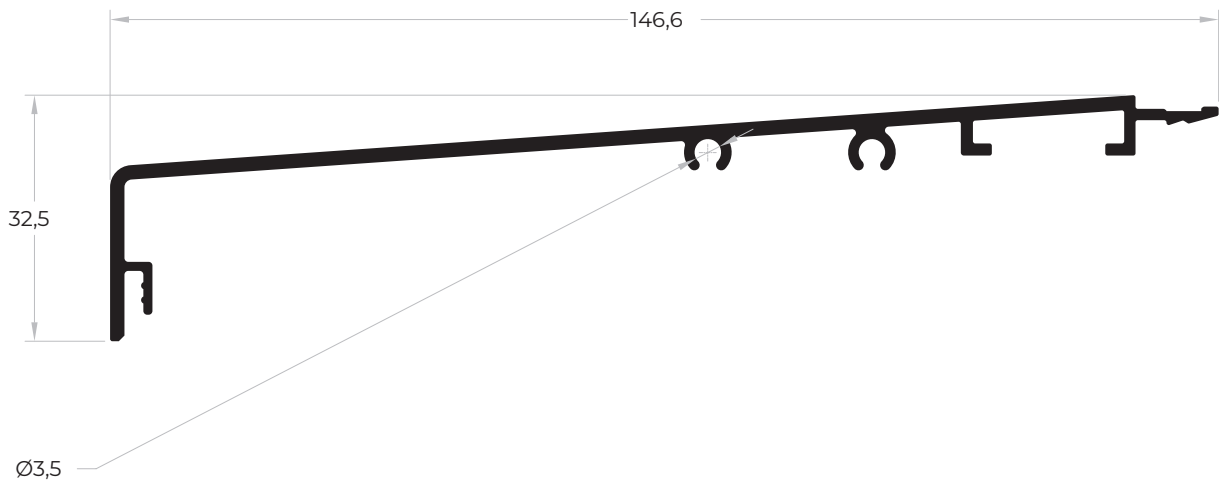
ref: **n21 093**  
nota: para apainelado  
note: for paneling



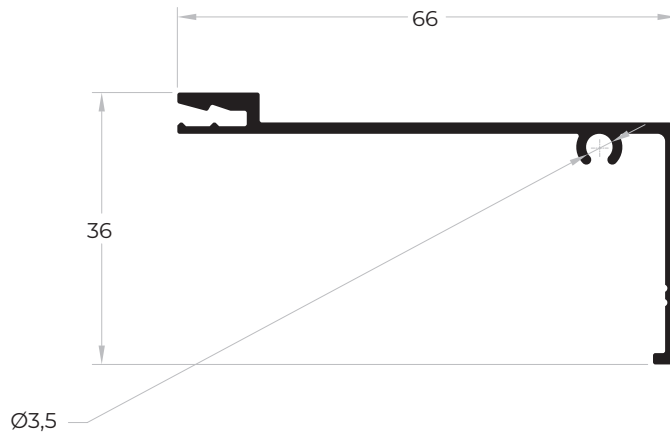
# PERFIS PROFILES



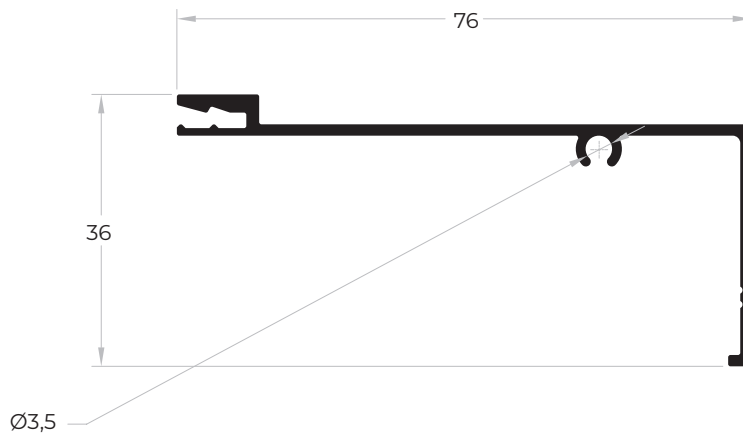
ref: **n14 065**



ref: **n14 066**



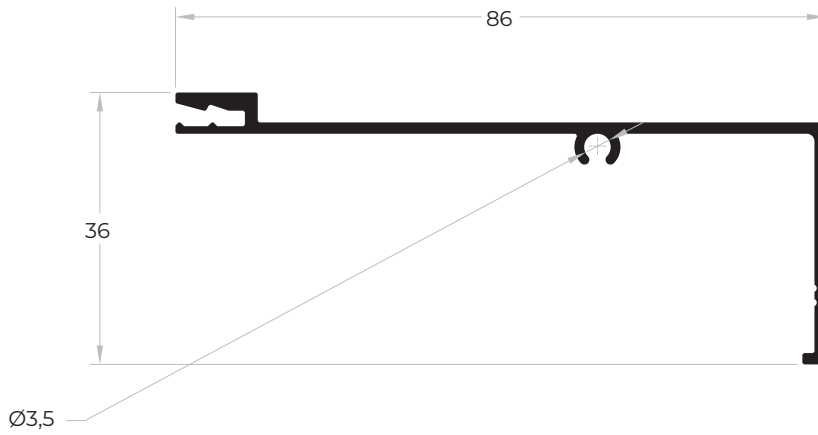
ref: **n14 055**



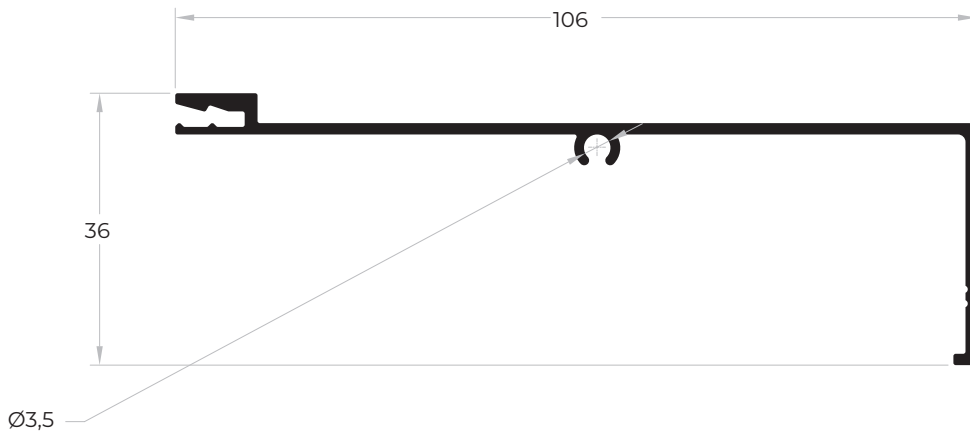
ref: **n14 056**



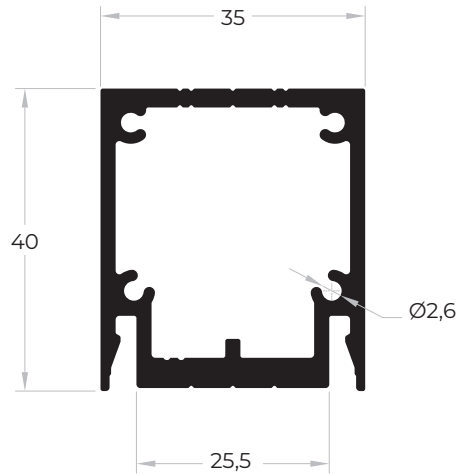
# PERFIS PROFILES



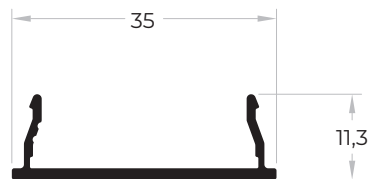
ref: **n14 057**



ref: **n14 058**



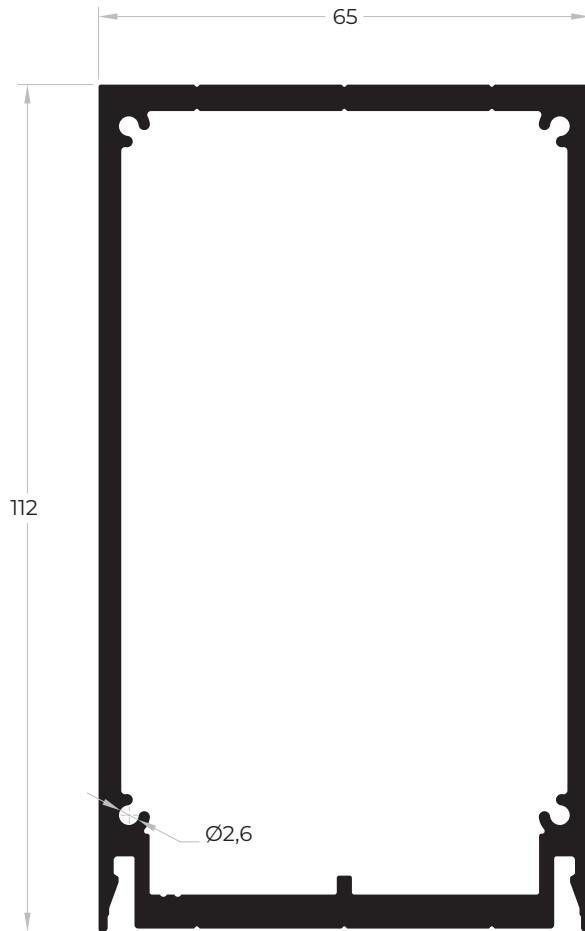
ref: **n31 961**



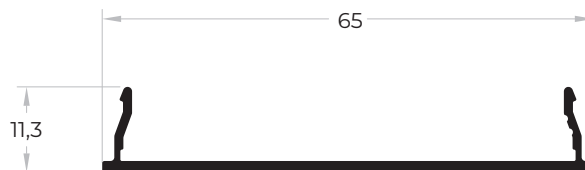
ref: **n31 963**



# PERFIS PROFILES

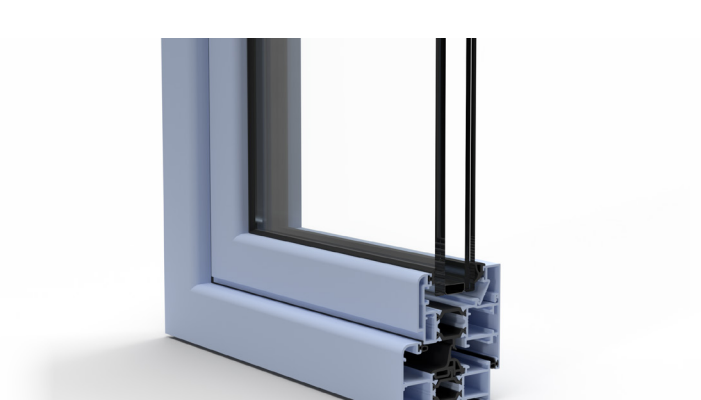
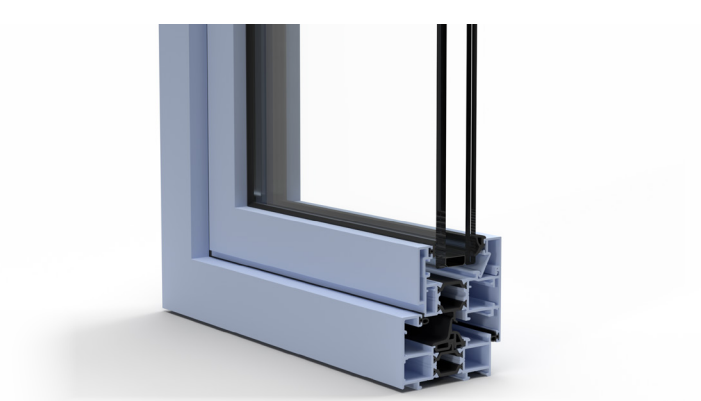
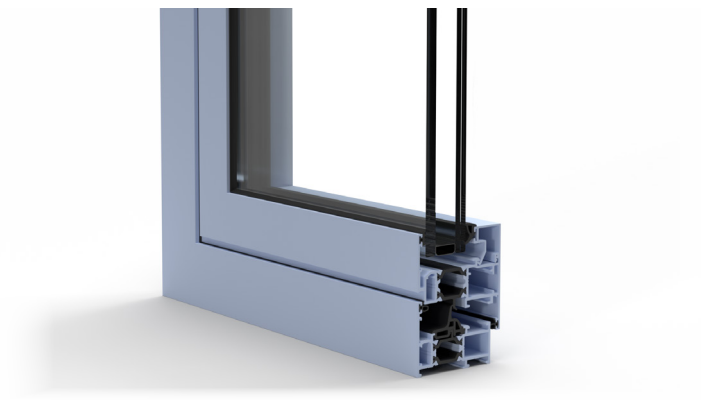


ref: [n31 965](#)



ref: [n31 966](#)





A Navarra - Extrusão de Alumínio, S.A. reserva-se no direito de proceder sem aviso prévio a alterações em todo ou parte do conteúdo apresentado, invalidando todas as versões anteriores.  
Navarra - Extrusão de Alumínio, S.A. reserves the right to make unannounced changes to all or part of the content presented, invalidating all previous versions.

EDIFÍCIO SEDE | HEAD OFFICE  
SHOWROOM BRAGA | BRAGA SHOWROOM  
Navarra - Extrusão de Alumínio, S.A.  
Avenida Doutor Domingos Soares, n.º 18  
4710-670 Braga

COORDENADAS GPS | GPS COORDINATES  
41° 36´ 10.582" N  
8° 22´ 52.554" W

ENDEREÇO POSTAL | POSTCODE  
Navarra - Extrusão de Alumínio, S.A.  
Apartado 2476  
4701-971 BRAGA

t. + 351 253 603 520  
f. + 351 253 677 005  
geral@navarraaluminio.com  
comercial@navarraaluminio.com  
export@navarraaluminium.com

SHOWROOM LISBOA | LISBON SHOWROOM  
Parque das Nações  
Alameda dos Oceanos  
Edifício Mar do Oriente, n.º63 fração 0.1  
1900-137 Lisboa

t. + 351 218 965 032  
showroomlisboa@navarraaluminio.com

COORDENADAS GPS | GPS LOCATION  
38° 46´ 17.4" N  
9° 05´ 44.4" W

Edição 3 | 22/01/26  
Edition 3 | 22/01/26