

N19 200

SISTEMA DE BATENTE COM RPT

SYSTEM WITH THERMAL BREAK





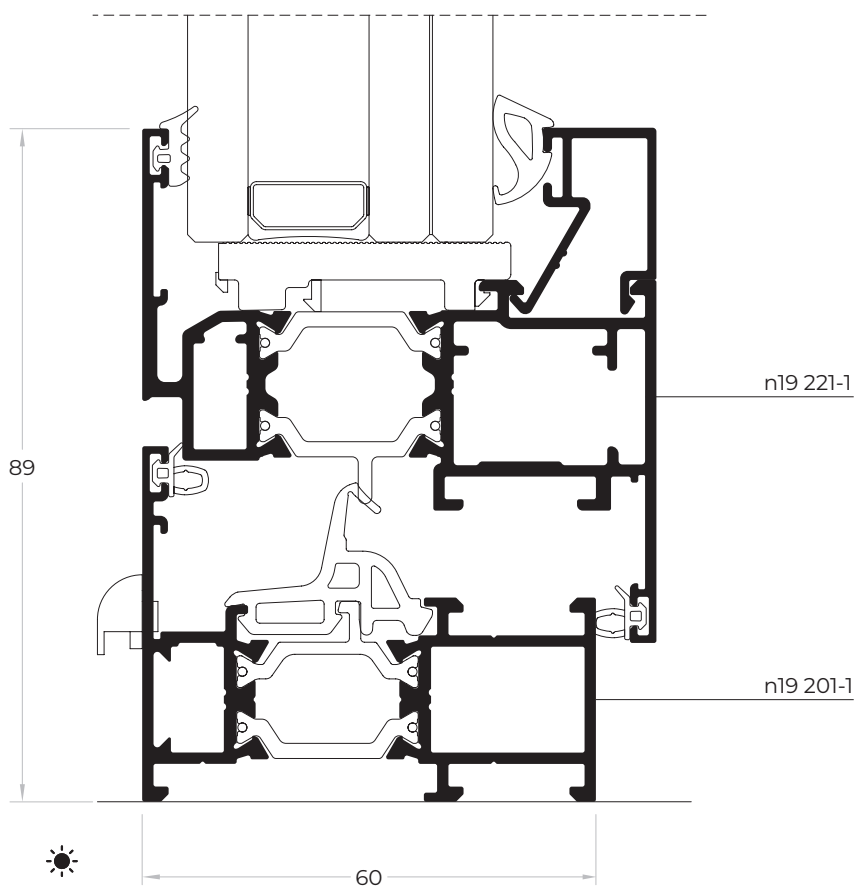
- ☑ O sistema N19 200 é uma solução de batente em alumínio com profundidades de aro de 60 mm e 72 mm, concebida para responder a requisitos funcionais e normativos da construção atual. A compatibilidade com envidraçados até 56 mm permite otimizar o desempenho térmico e acústico do conjunto, garantindo a conformidade com os critérios exigidos pela Marcação CE. O sistema integra uma gama alargada de perfis técnicos, estruturada em diferentes configurações construtivas, com opções de geometria reta e curva, adequadas a múltiplos contextos de aplicação. A disponibilidade de perfis com distintos níveis de inércia e resistência assegura estabilidade estrutural, fiabilidade em serviço e elevada durabilidade, permitindo a sua utilização em janelas e portas, incluindo soluções sujeitas a maiores solicitações mecânicas.
- The N19 200 system is an aluminium casement solution with frame depths of 60 mm and 72 mm, designed to meet the functional and regulatory requirements of contemporary construction. Compatibility with glazing up to 56 mm allows the thermal and acoustic performance of the assembly to be optimized, ensuring compliance with the criteria required for CE marking.
- The system incorporates a wide range of technical profiles, structured into different construction configurations, with straight and curved geometry options suitable for multiple application contexts. The availability of profiles with varying levels of inertia and strength ensures structural stability, in-service reliability, and high durability, enabling its use in windows and doors, including solutions subject to higher mechanical loads.

DESEMPENHO FUNCIONAL

FUNCTIONAL PERFORMANCE

DESIGN VERSÁTIL

VERSATILE DESIGN



N19 200-1 FLAT (FT)



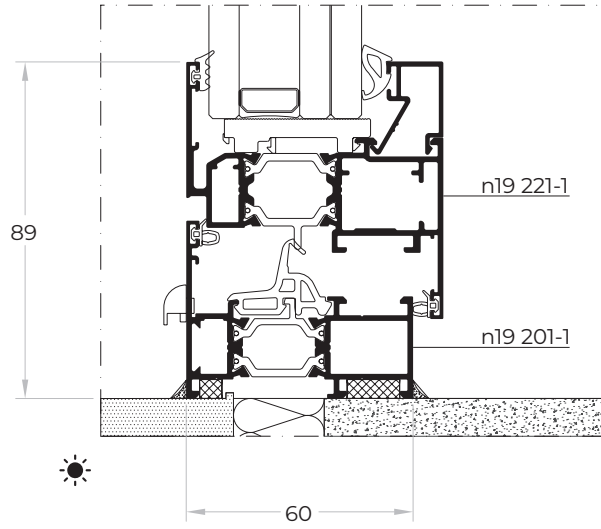
N19 200-2 RETA (RT)



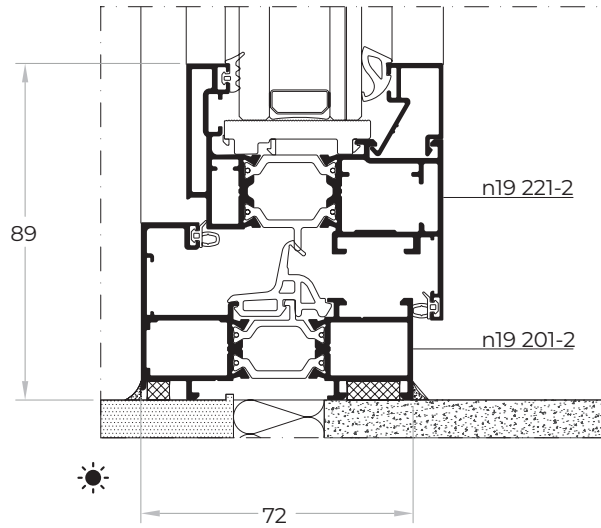
N19 200-3 CURVA (CR)



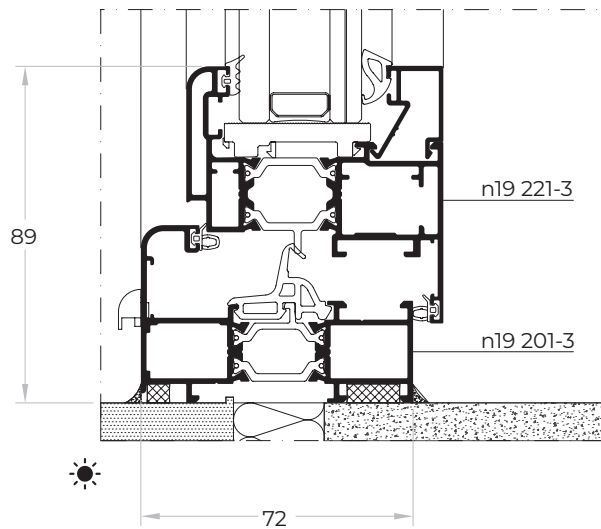
LINHA FLAT



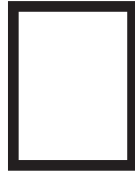
LINHA RETA



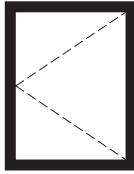
LINHA CURVA



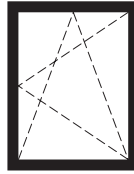
MONTAGENS E TIPOLOGIAS ASSEMBLIES AND TYPOLOGIES



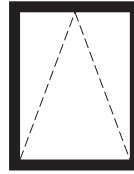
FIXO
FIXED WINDOW



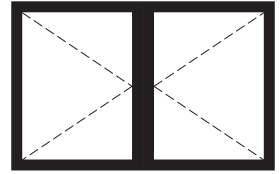
BATENTE
(ABERTURA INT. OU EXT.)
SIDE HUNG WINDOW (IN-
WARD OR OUTWARD VENT)



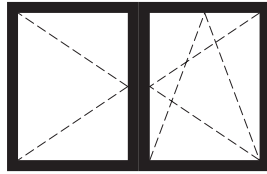
OSCILOBATENTE
TILT AND TURN WINDOW



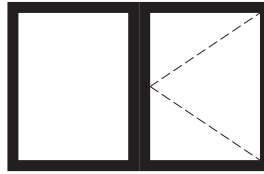
BASCULANTE
BOTTOM HUNG WINDOW



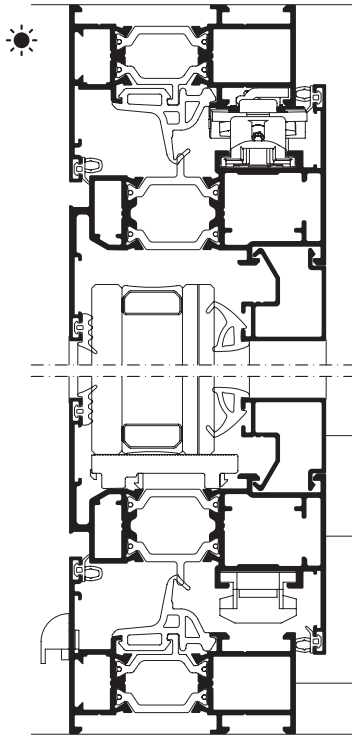
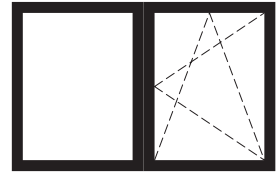
BATENTE 2 FOLHAS
(ABERTURA INT. OU EXT.)
2 SASHES SIDE HUNG WINDOW
(INWARD OR OUTWARD VENT)



BATENTE + FIXO
SIDE HUNG WINDOW + FIXED WINDOW



OSCILOBATENTE + FIXO
TILT AND TURN WINDOW + FIXED WINDOW

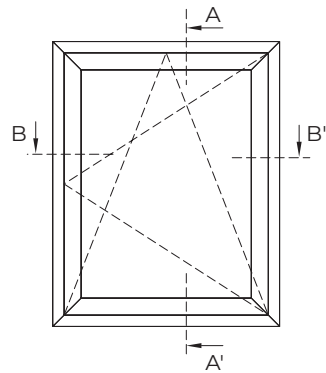


n12 059

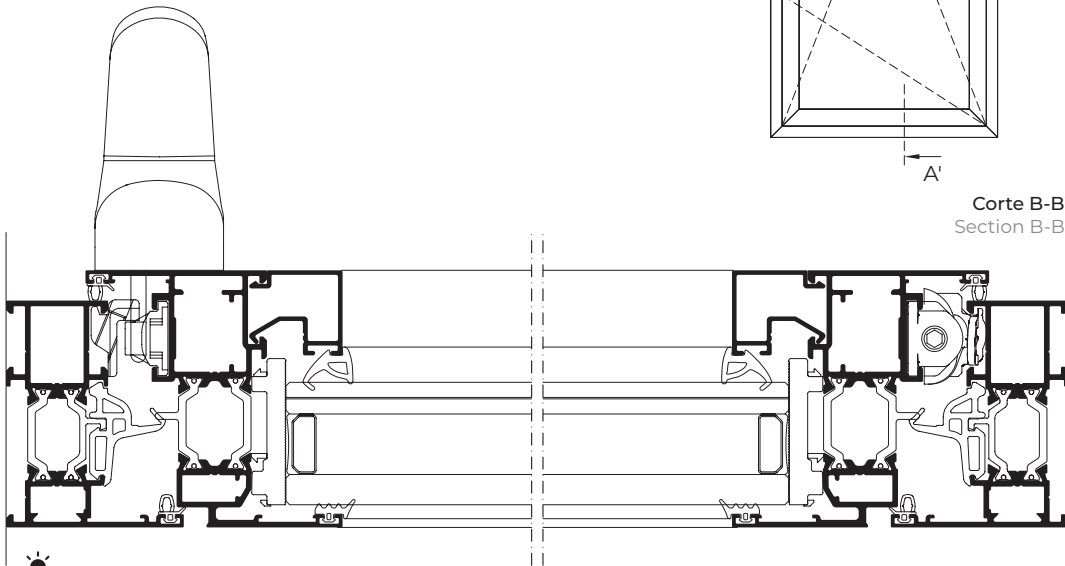
n19 221-1

n19 201-1

Corte A-A'
Section A-A'



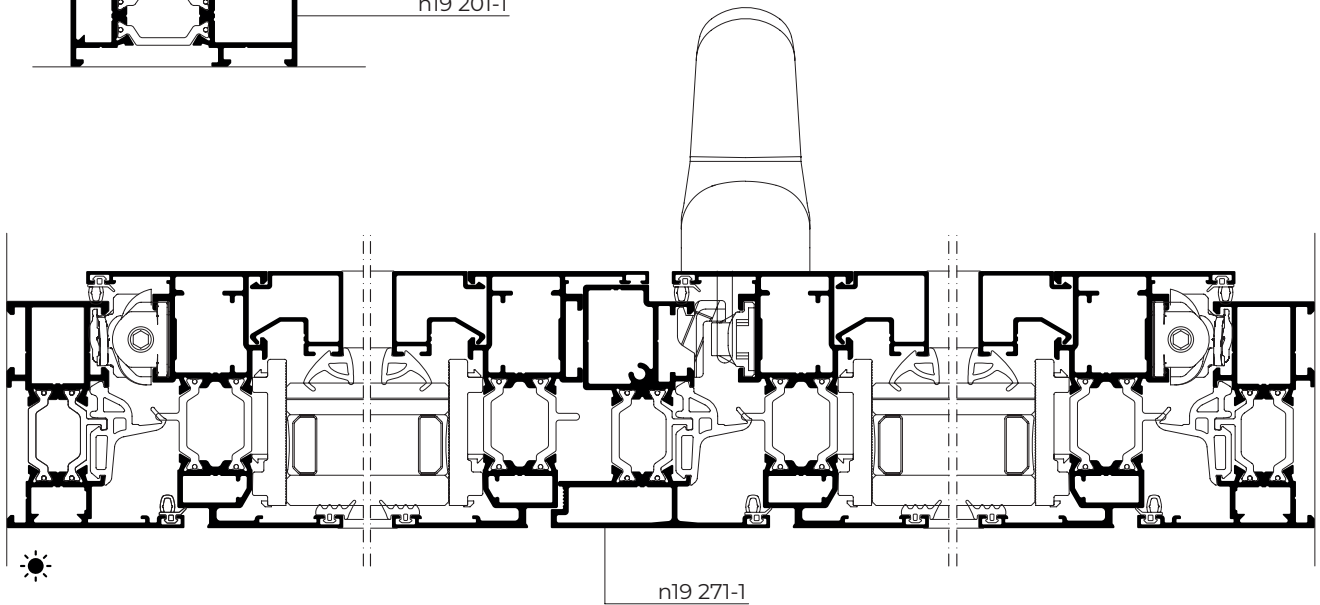
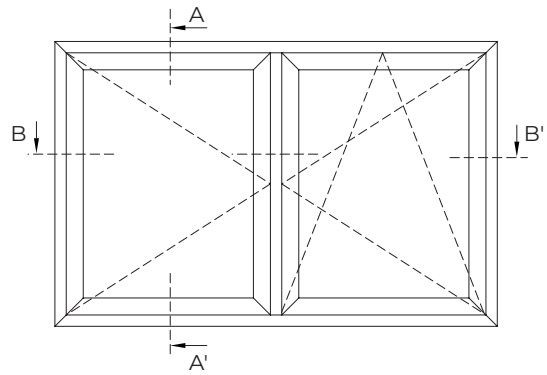
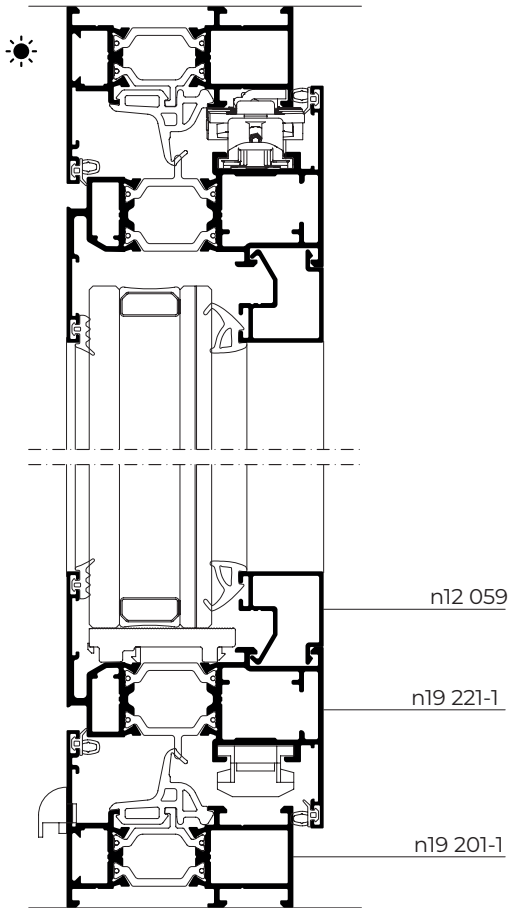
Corte B-B'
Section B-B'



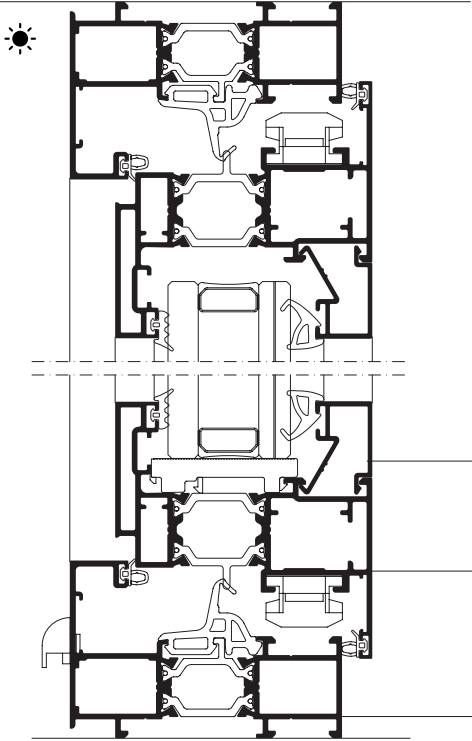
[escala scale 1:2]



MONTAGENS E TIPOLOGIAS ASSEMBLIES AND TYPOLOGIES



[escala scale 1:2]

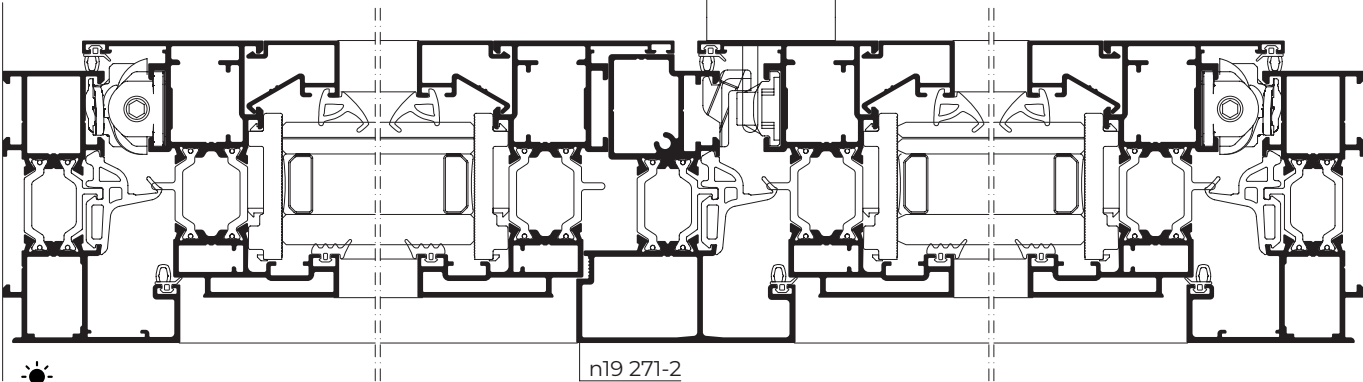
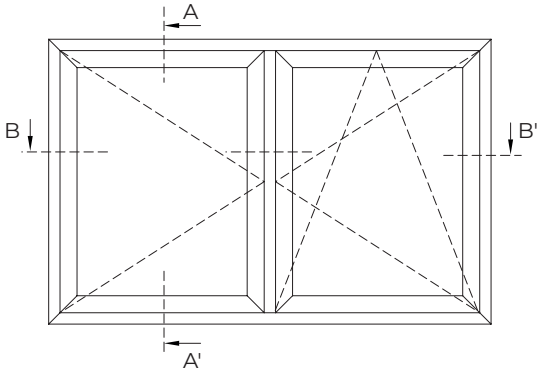


n12 058

n19 221-2

n19 201-2

Corte A-A'
Section A-A'

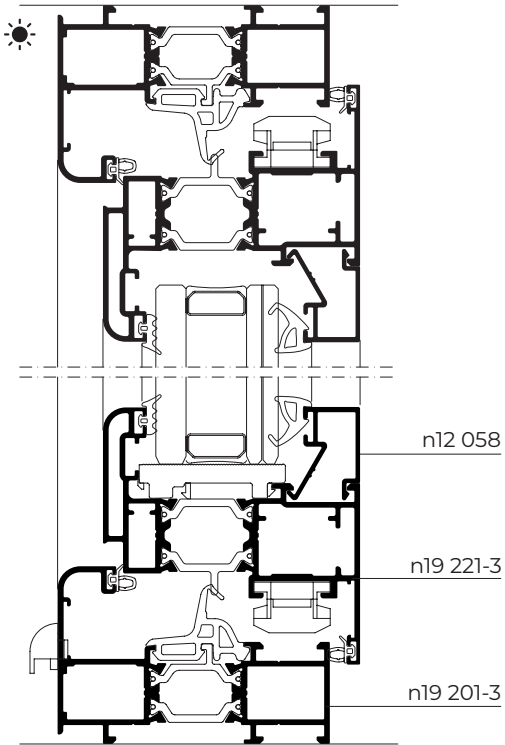


n19 271-2

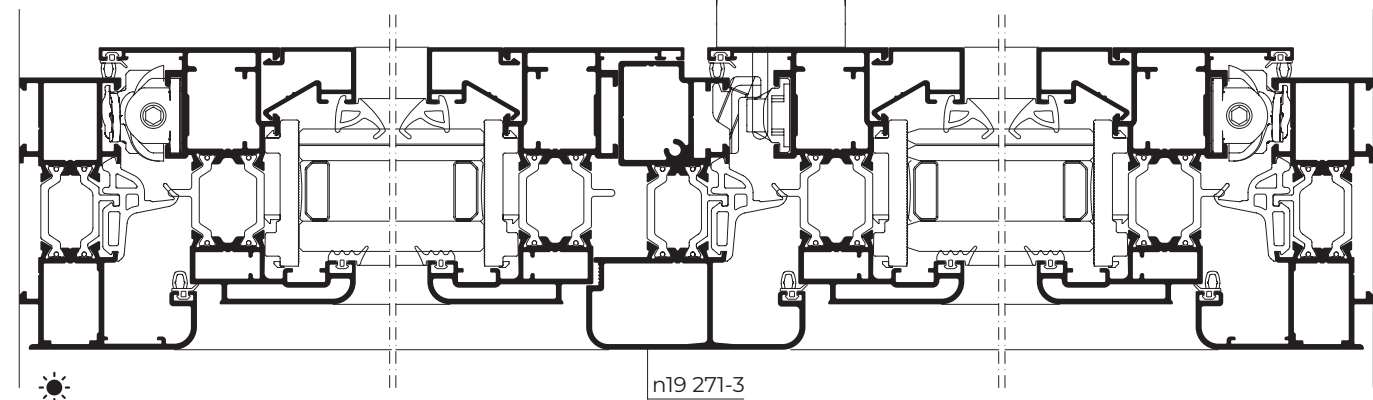
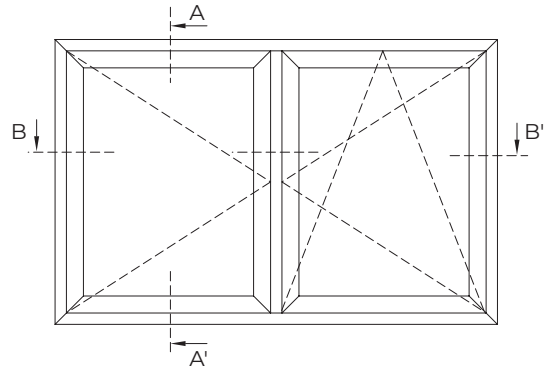
Corte B-B'
Section B-B'



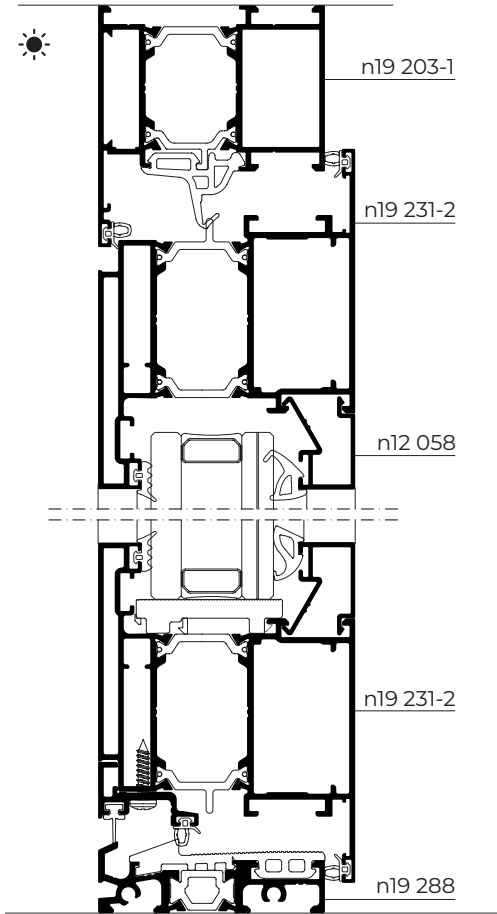
MONTAGENS E TIPOLOGIAS ASSEMBLIES AND TYPOLOGIES



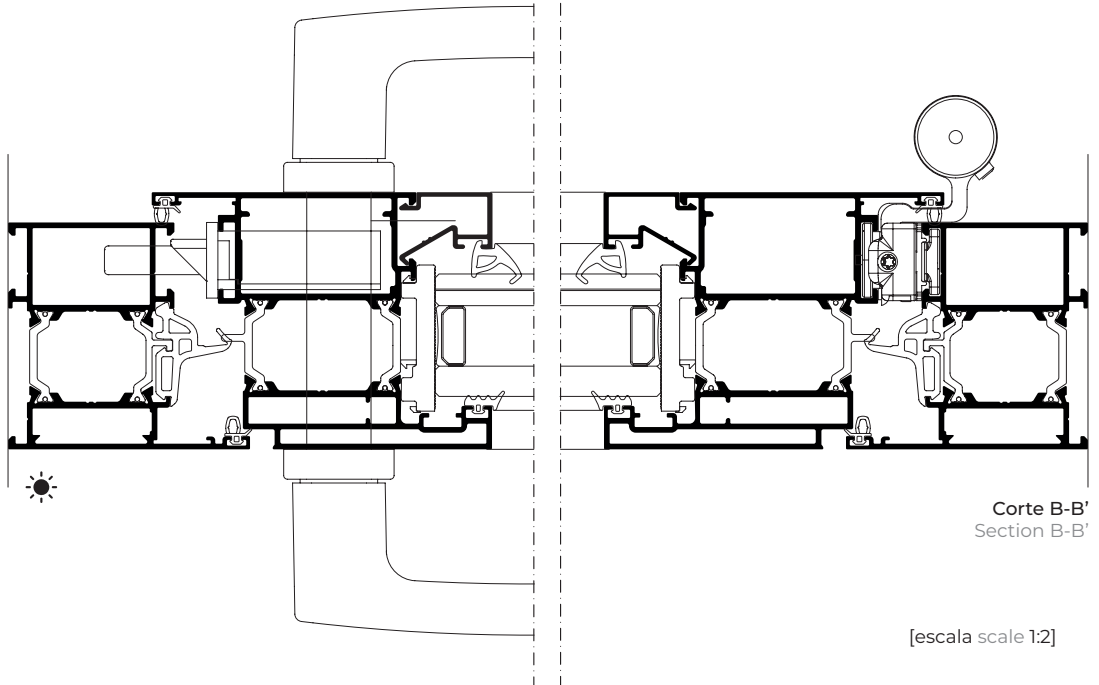
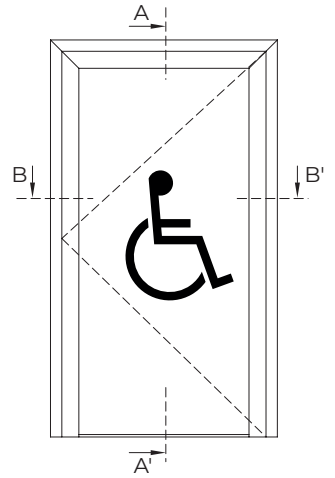
Corte A-A'
Section A-A'



Corte B-B'
Section B-B'



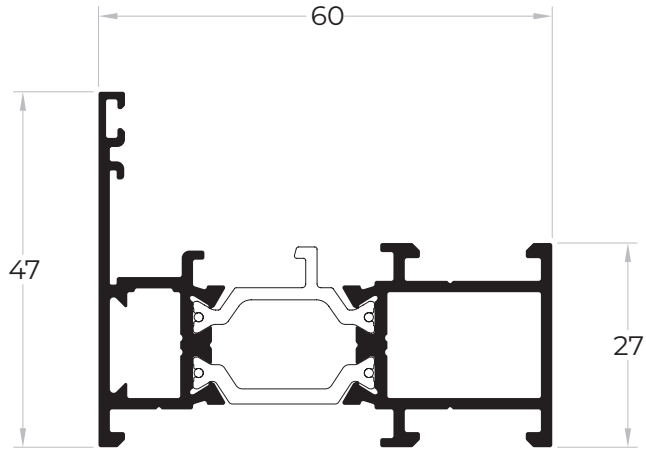
Corte A-A'
Section A-A'



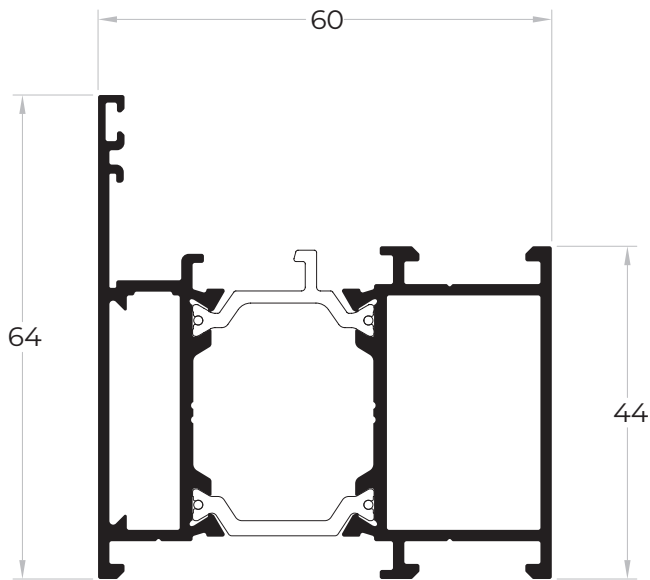
Corte B-B'
Section B-B'



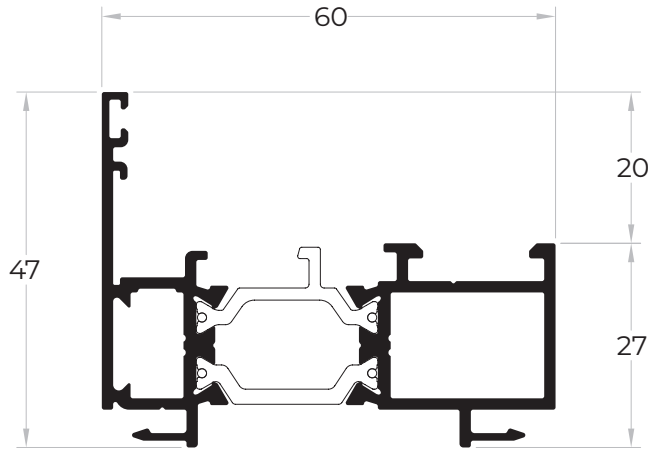
PERFIS PROFILES



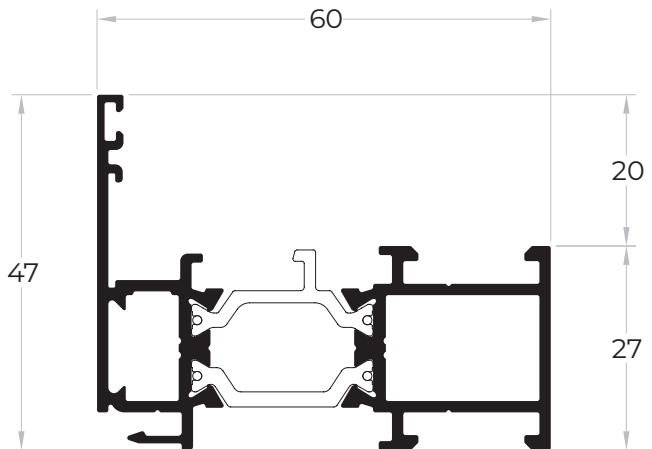
ref: **n19 201-1**



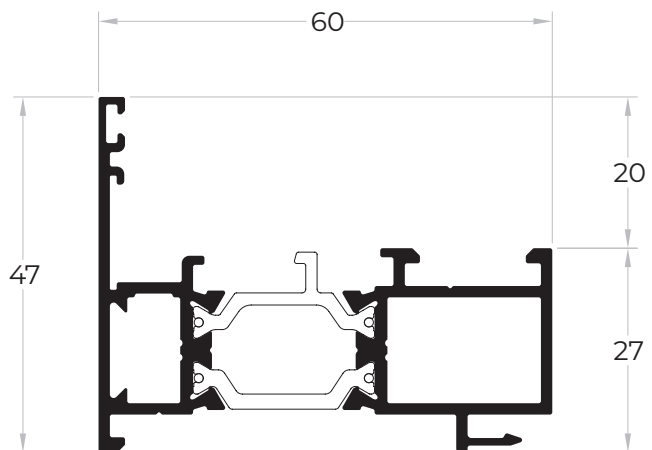
ref: **n19 203-1**



ref: **n19 202-1**



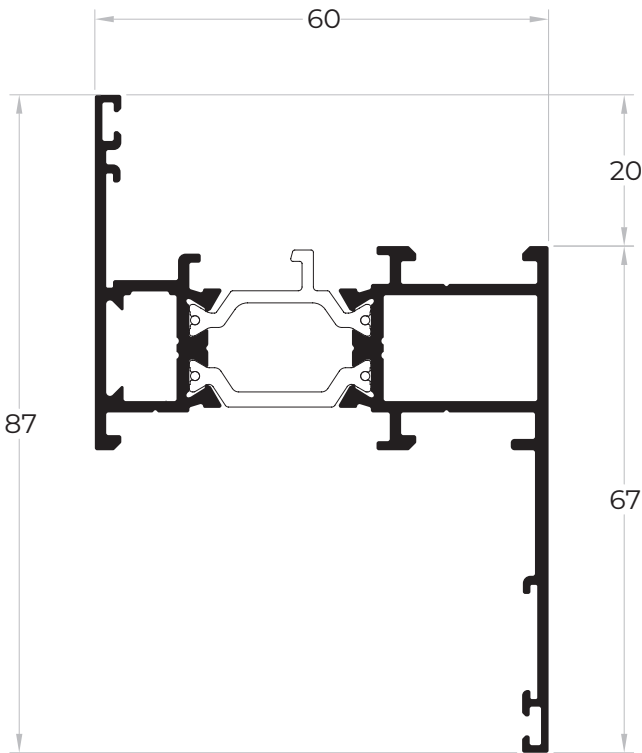
ref: **n19 205-1**



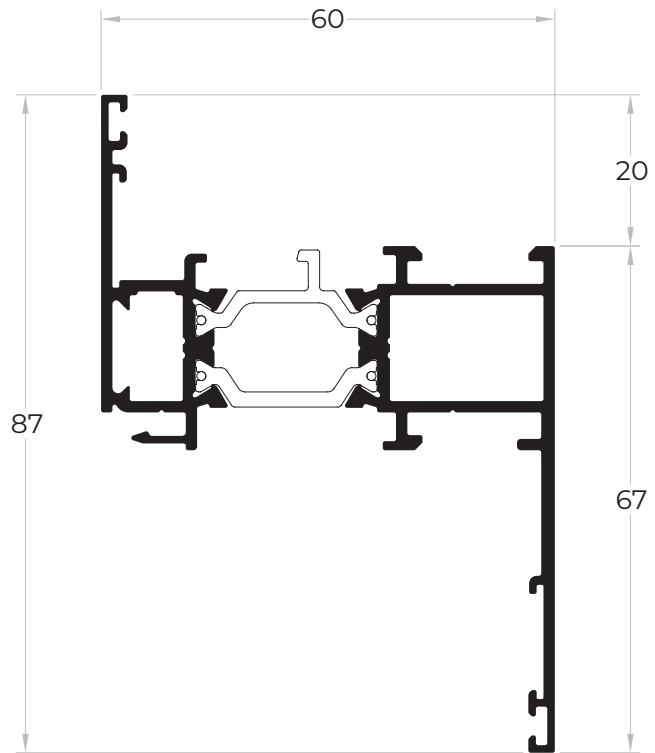
ref: **n19 206-1**



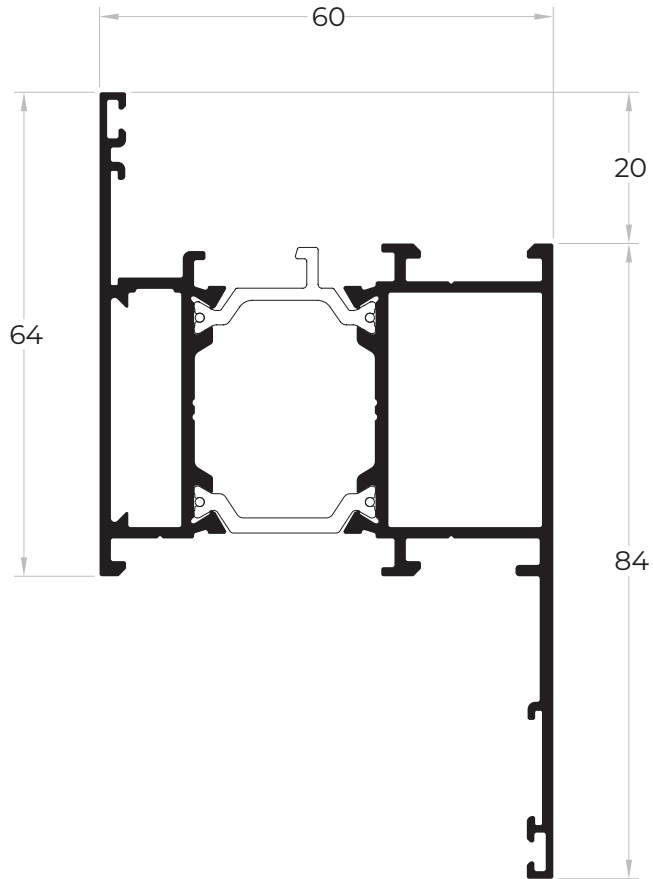
PERFIS PROFILES



ref: **n19 207-1**



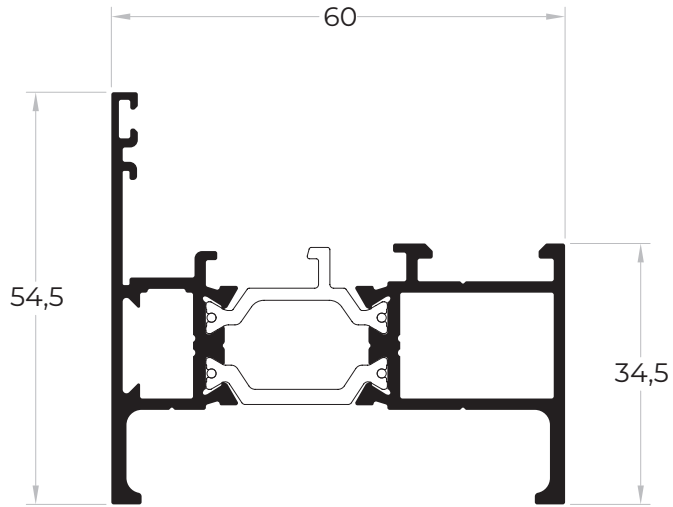
ref: **n19 208-1**



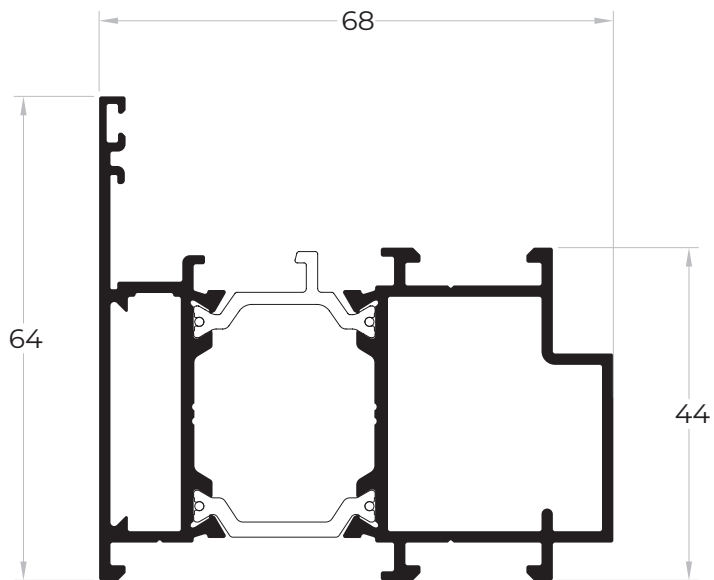
ref: **n19 209-1**



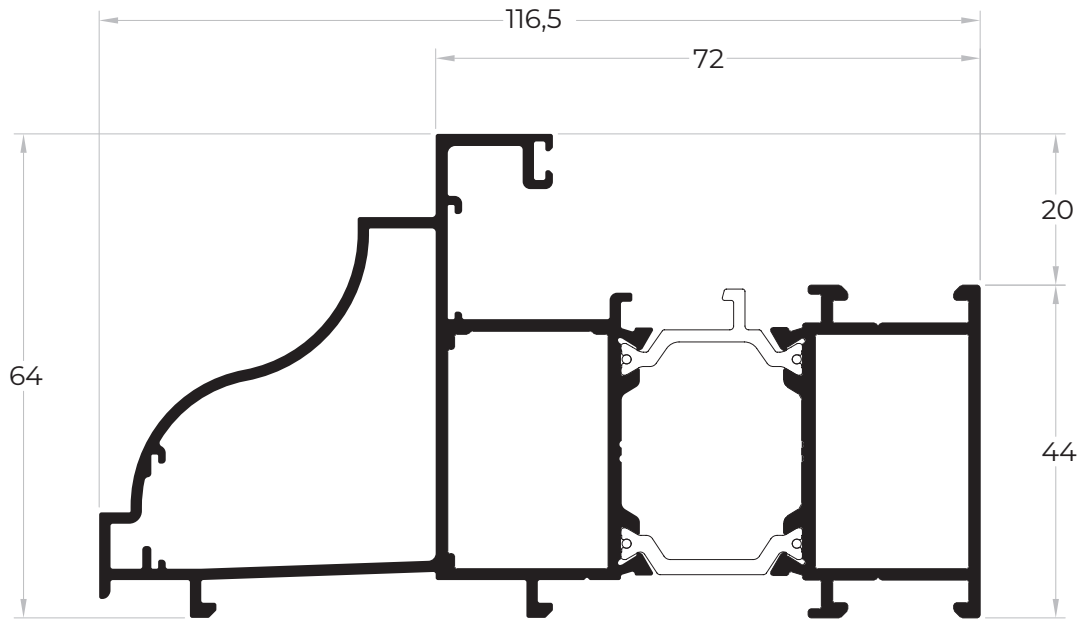
PERFIS PROFILES



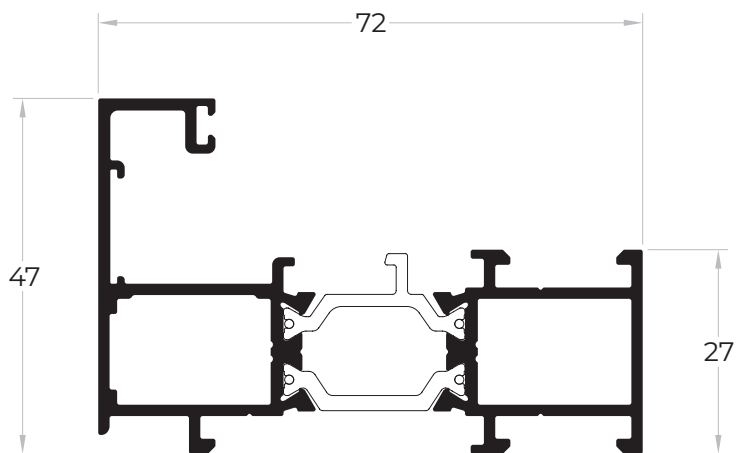
ref: **n19 210-1**



ref: **n19 204-1**



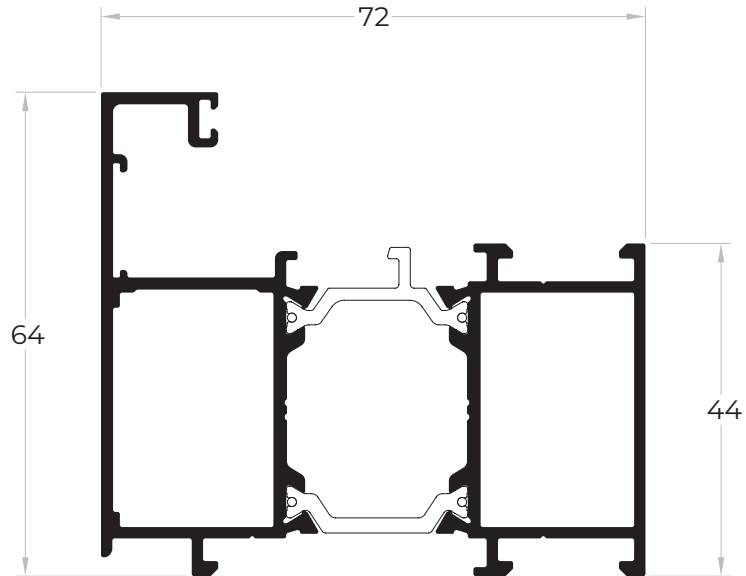
ref: [n19 203-5](#)



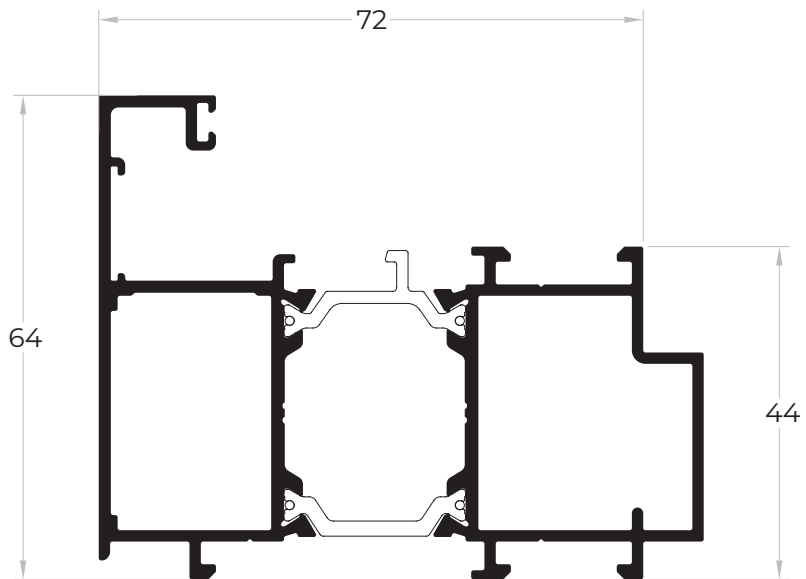
ref: [n19 201-2](#)



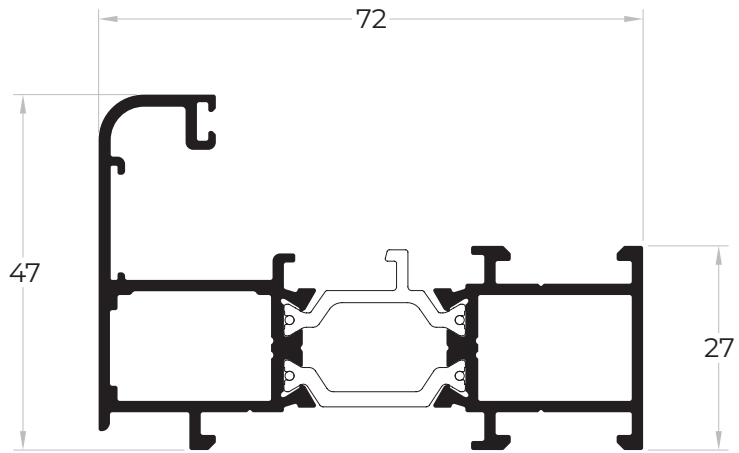
PERFIS PROFILES



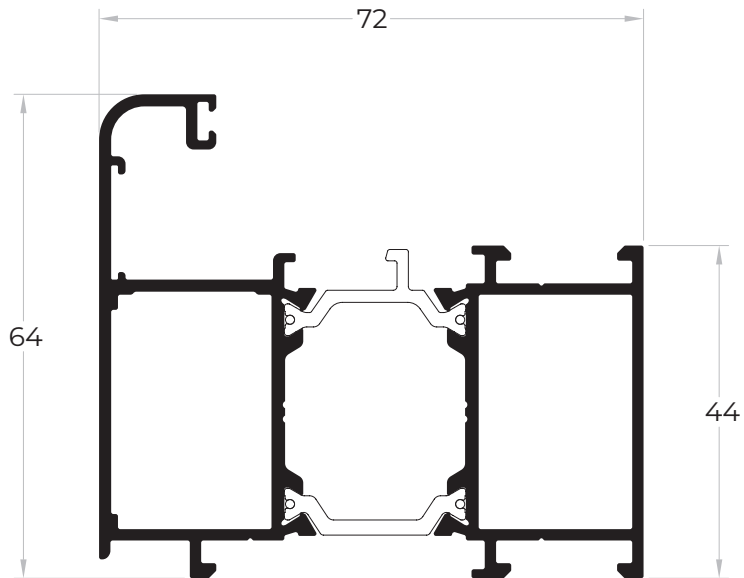
ref: **n19 203-2**



ref: **n19 204-2**



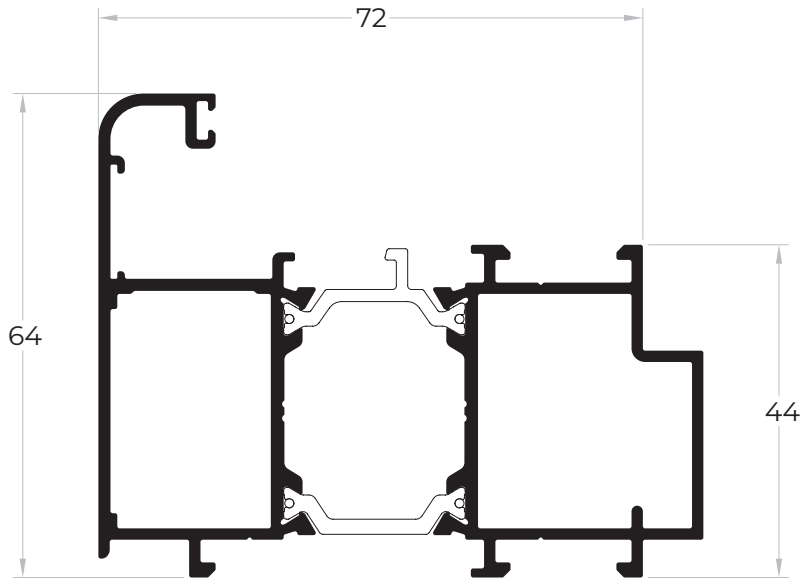
ref: **n19 201-3**



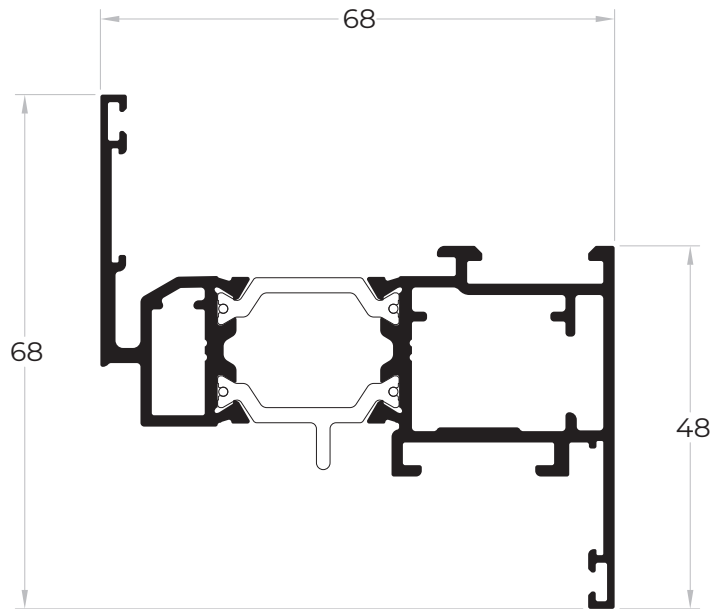
ref: **n19 203-3**



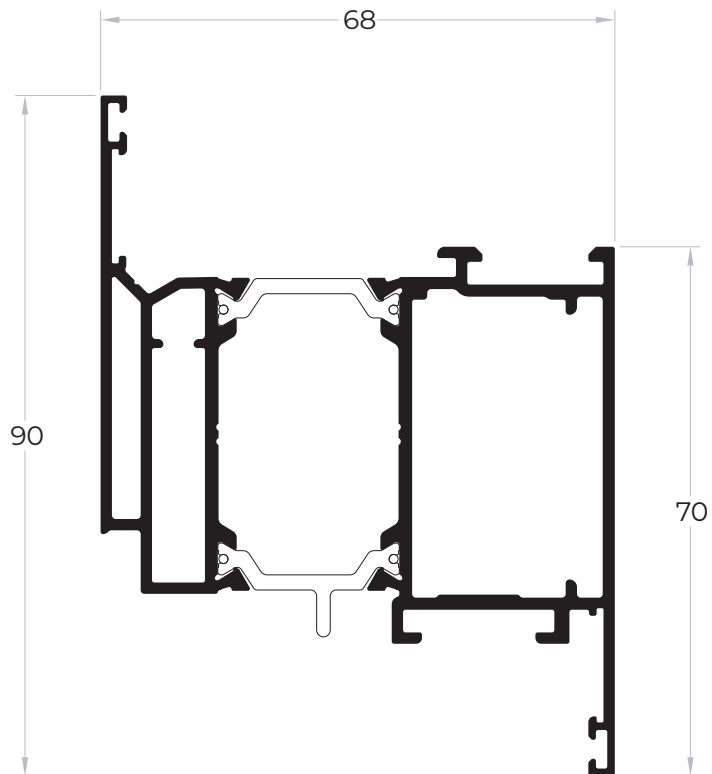
PERFIS PROFILES



ref: **n19 204-3**



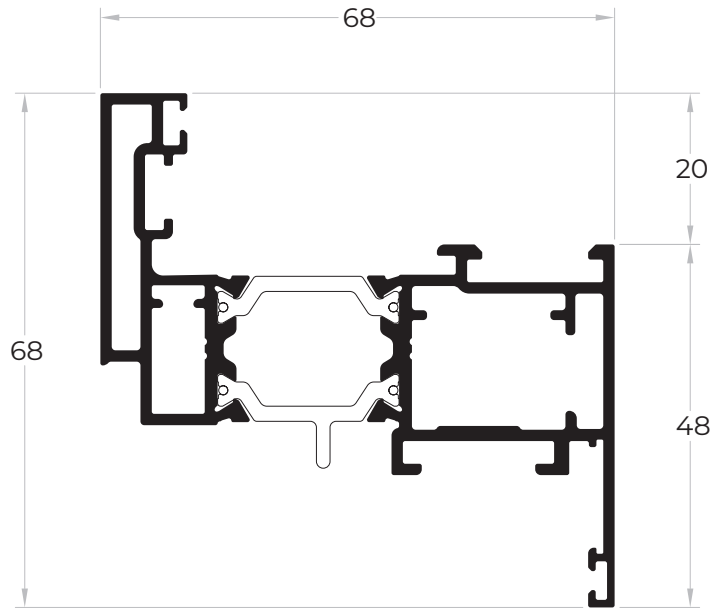
ref: [n19 221-1](#)



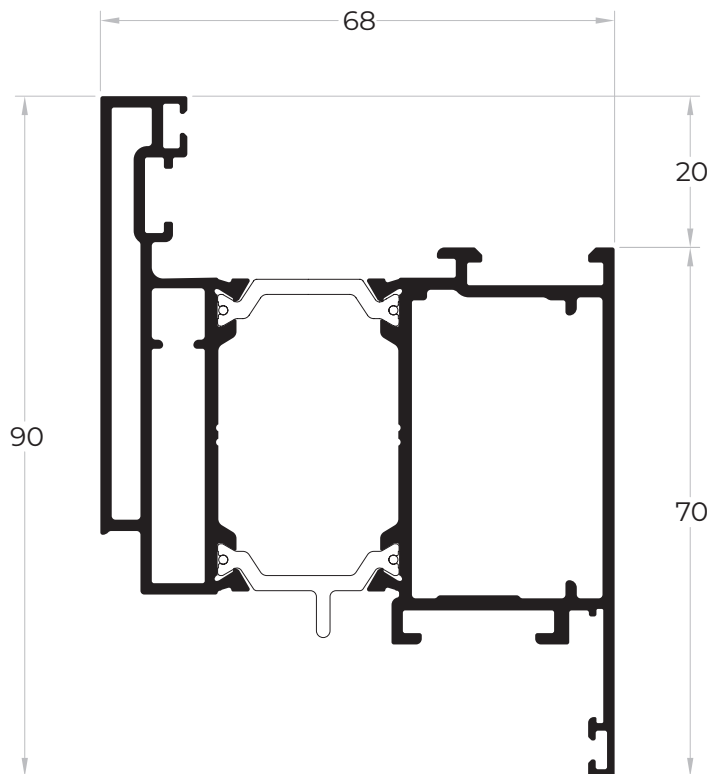
ref: [n19 231-1](#)



PERFIS PROFILES

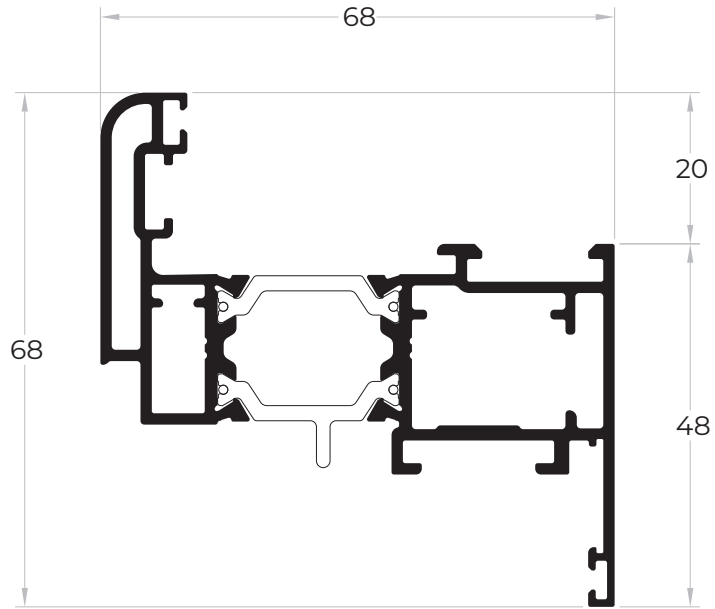


ref: [n19 221-2](#)

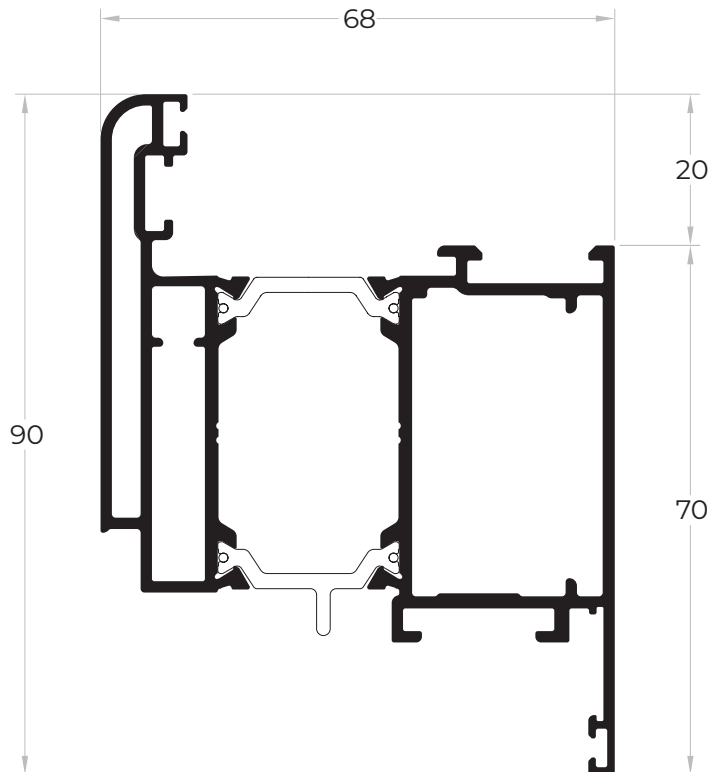


[escala scale 1:1]

ref: [n19 231-2](#)



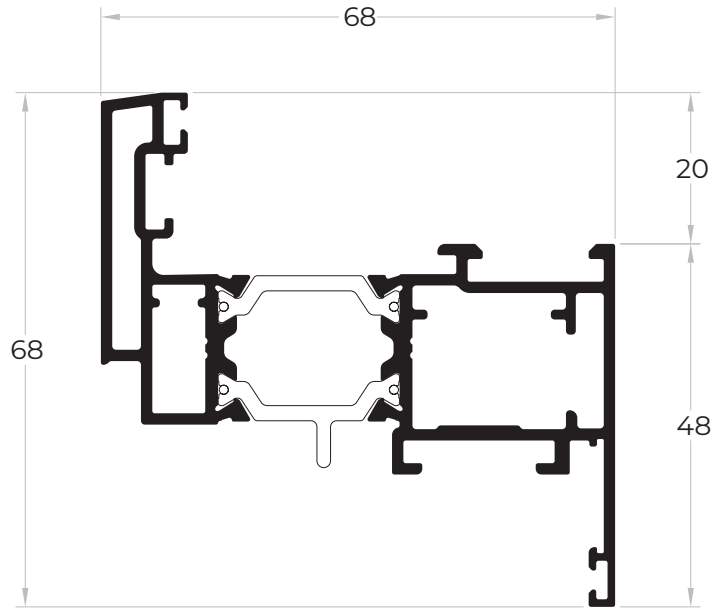
ref: **n19 221-3**



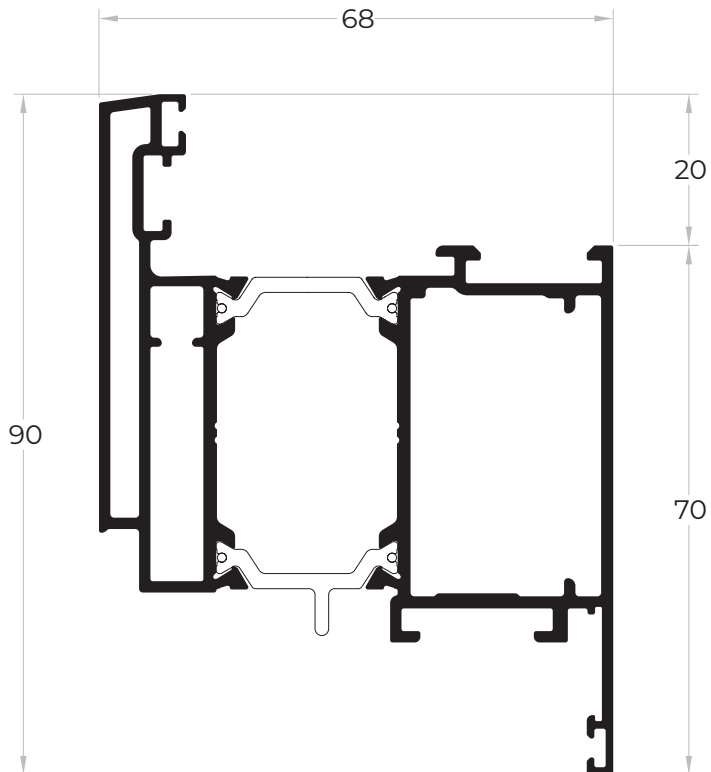
ref: **n19 231-3**



PERFIS PROFILES

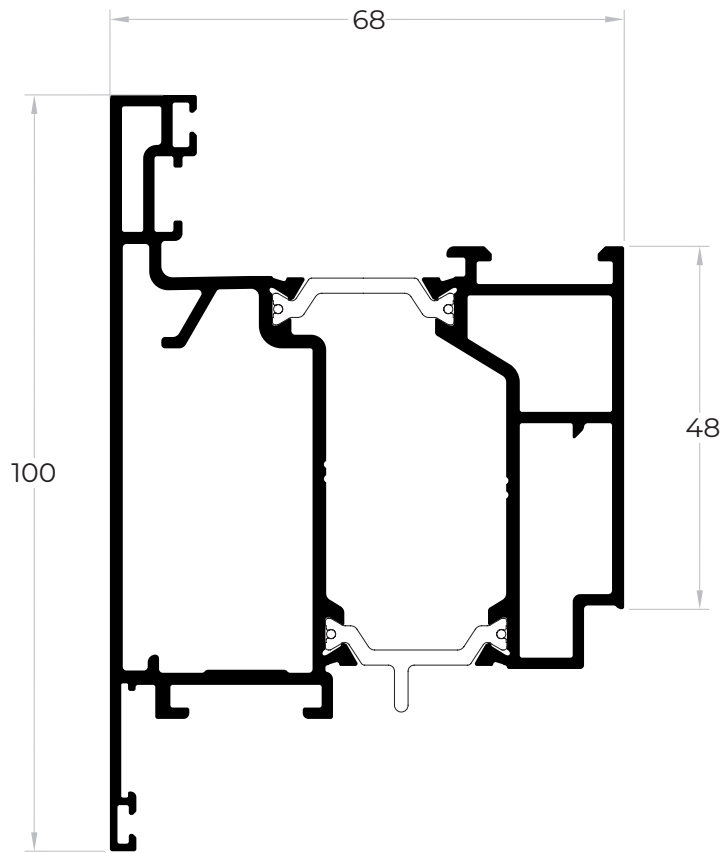


ref: [n19 221-4](#)



[escala scale 1:1]

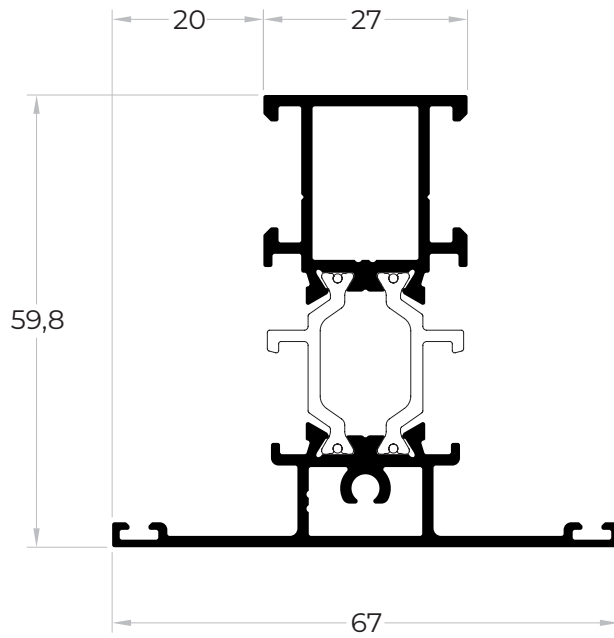
ref: [n19 231-4](#)



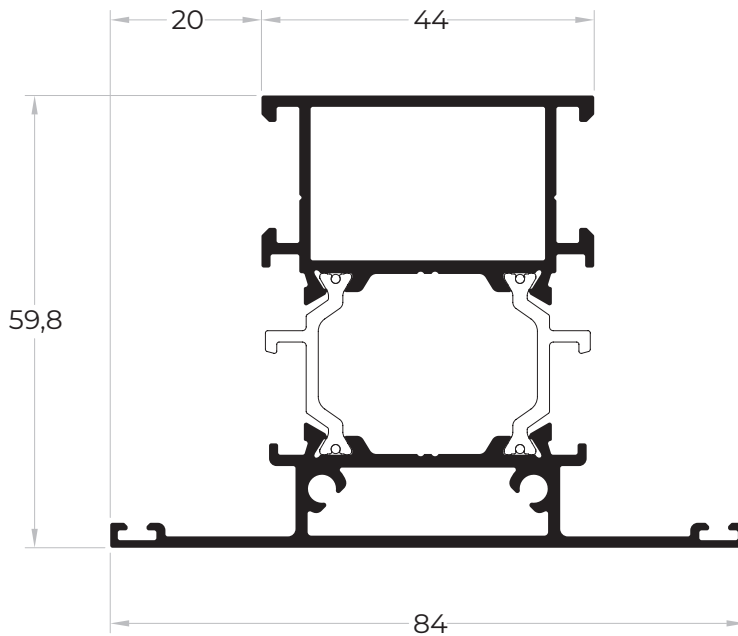
ref: [n19 235-2](#)



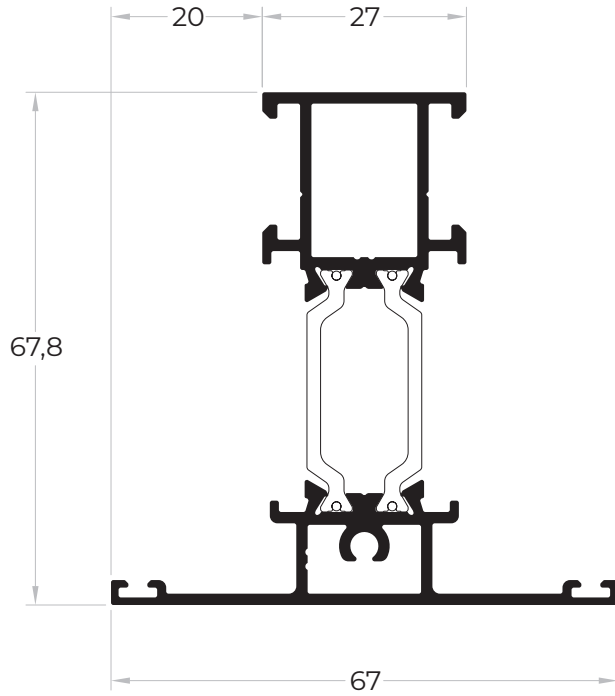
PERFIS PROFILES



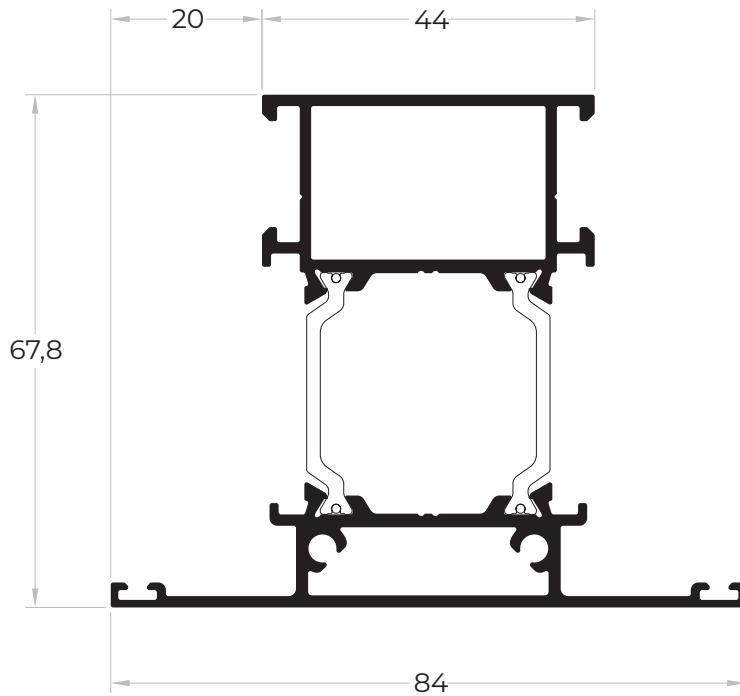
ref: **n19 211-1**



ref: **n19 212-1**



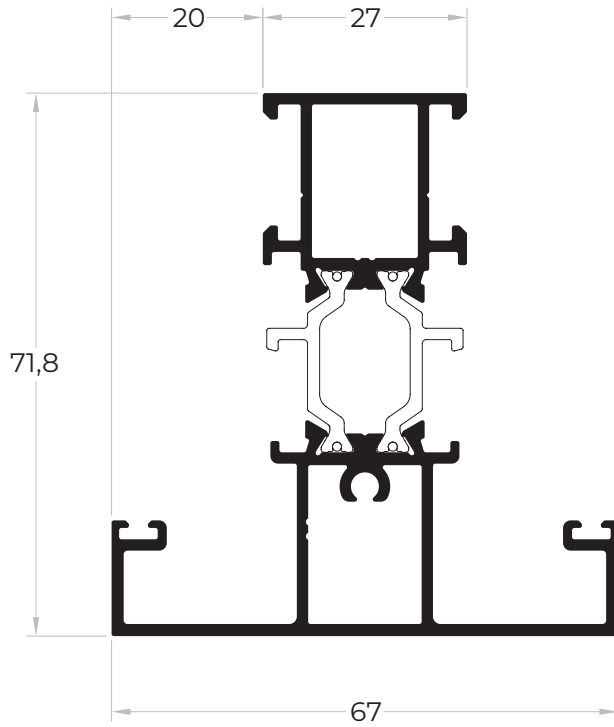
ref: [n19 213-1](#)



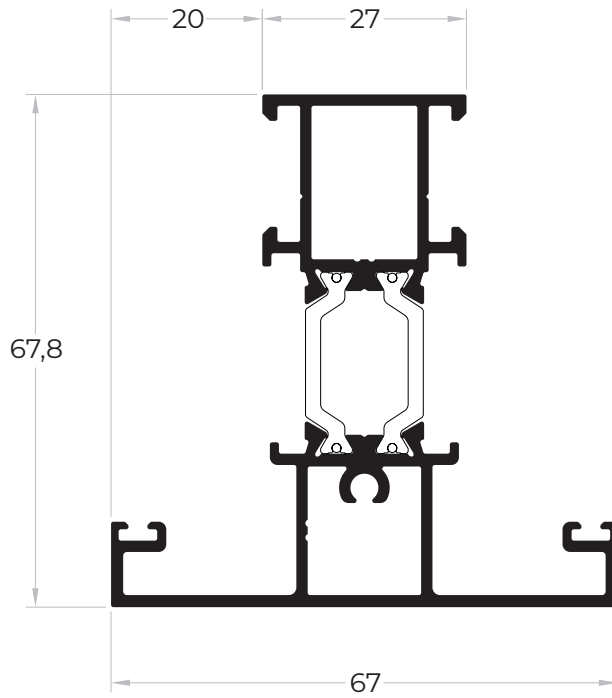
ref: [n19 214-1](#)



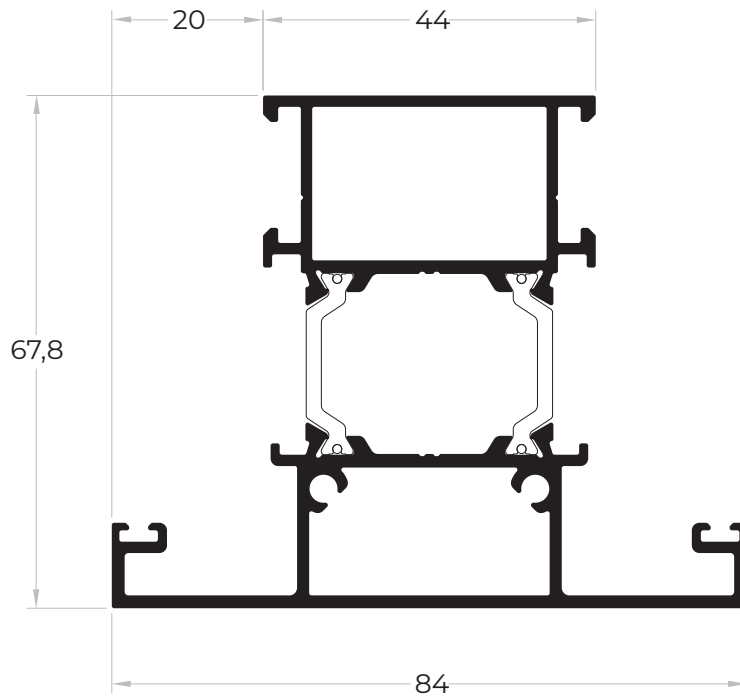
PERFIS PROFILES



ref: **n19 211-2**



ref: **n19 213-2**

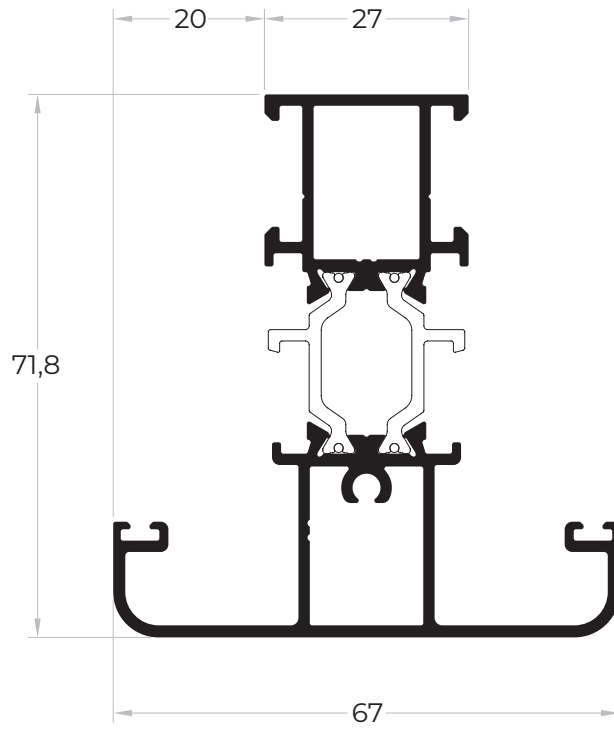


[escala scale 1:1]

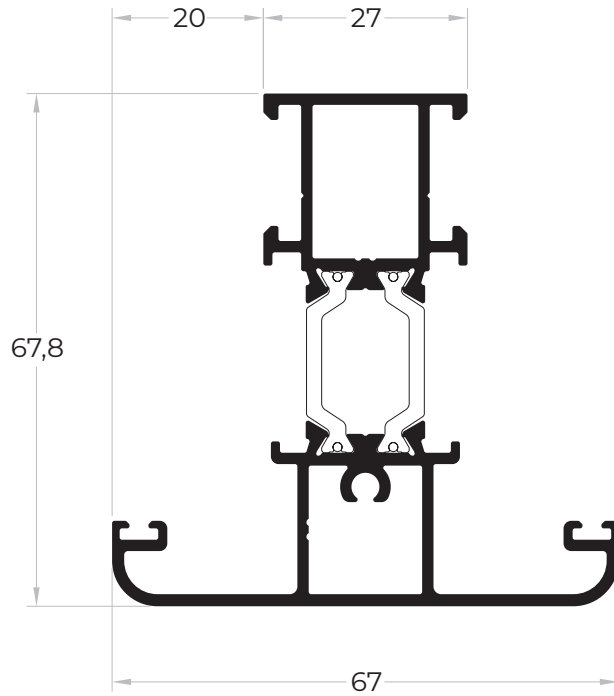
ref: **n19 214-2**



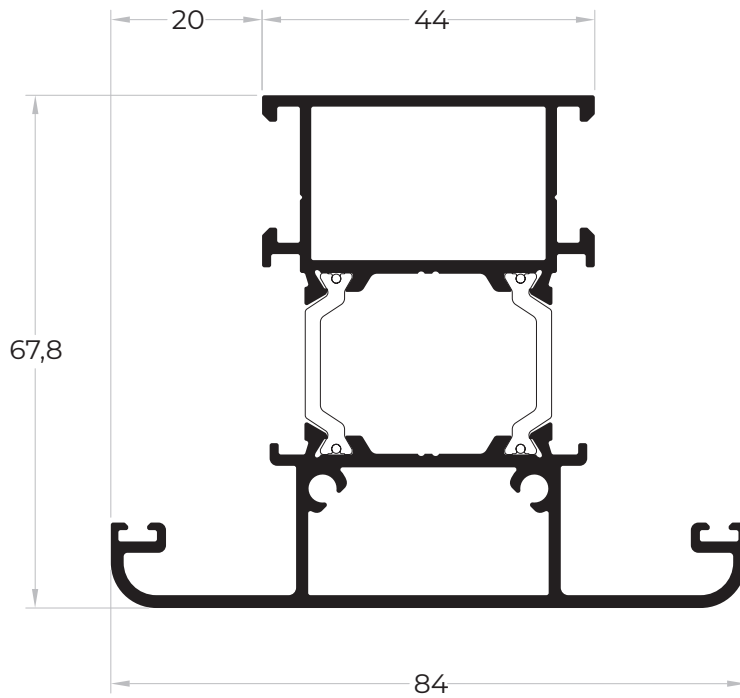
PERFIS PROFILES



ref: [n19 211-3](#)



ref: **n19 213-3**

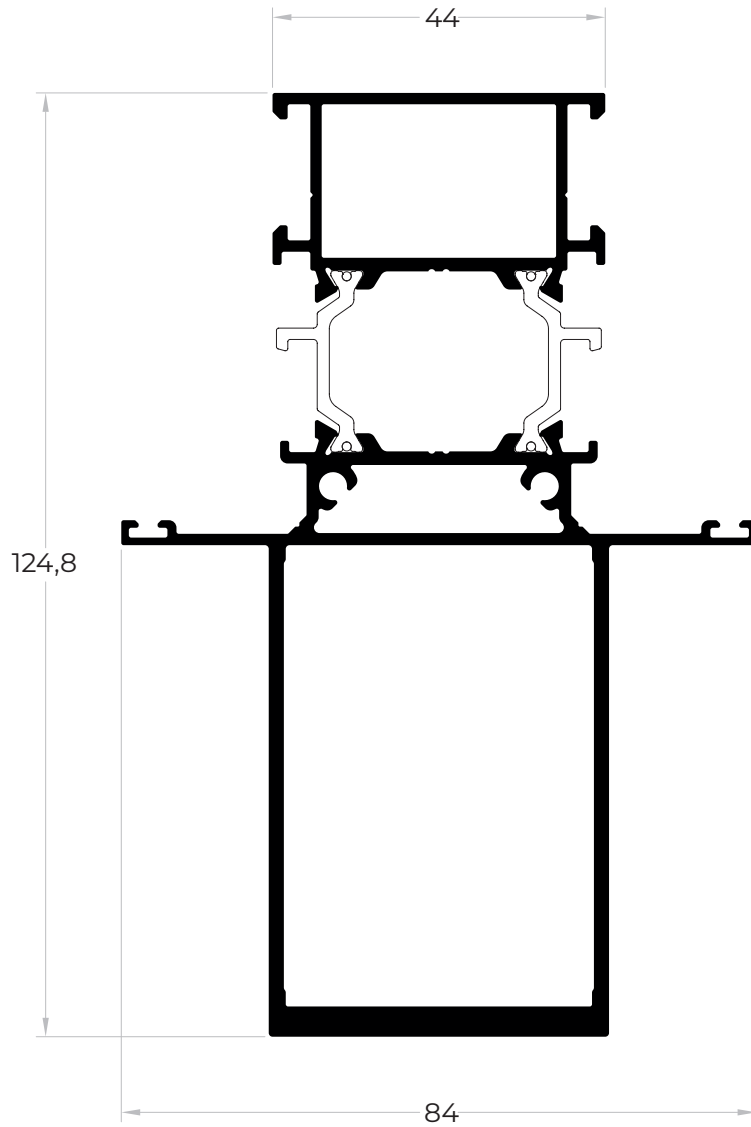


[escala scale 1:1]

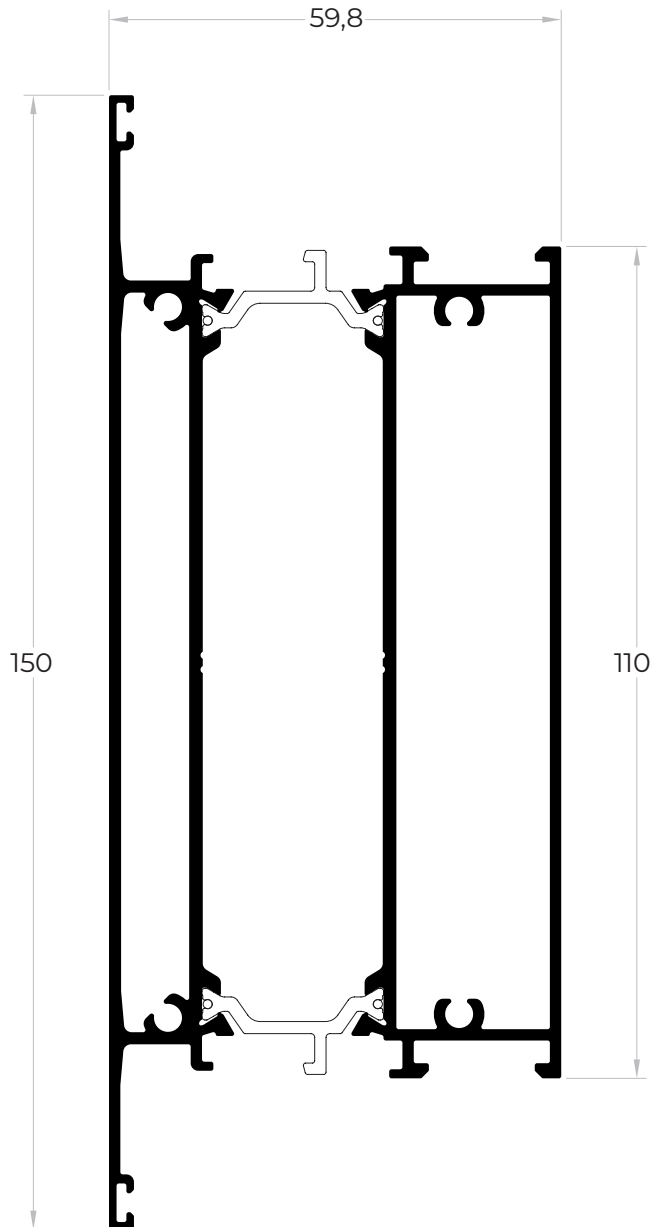
ref: **n19 214-3**



PERFIS PROFILES



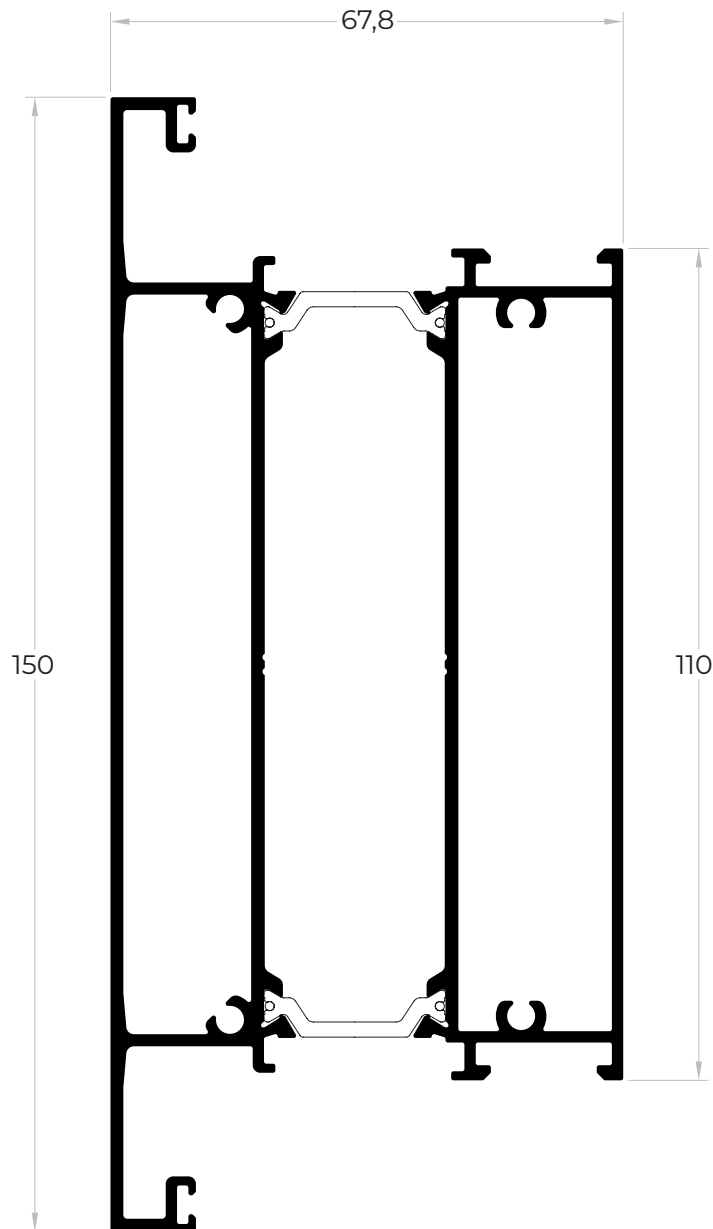
ref: [n19 219-1](#)



ref: **n19 241-1**

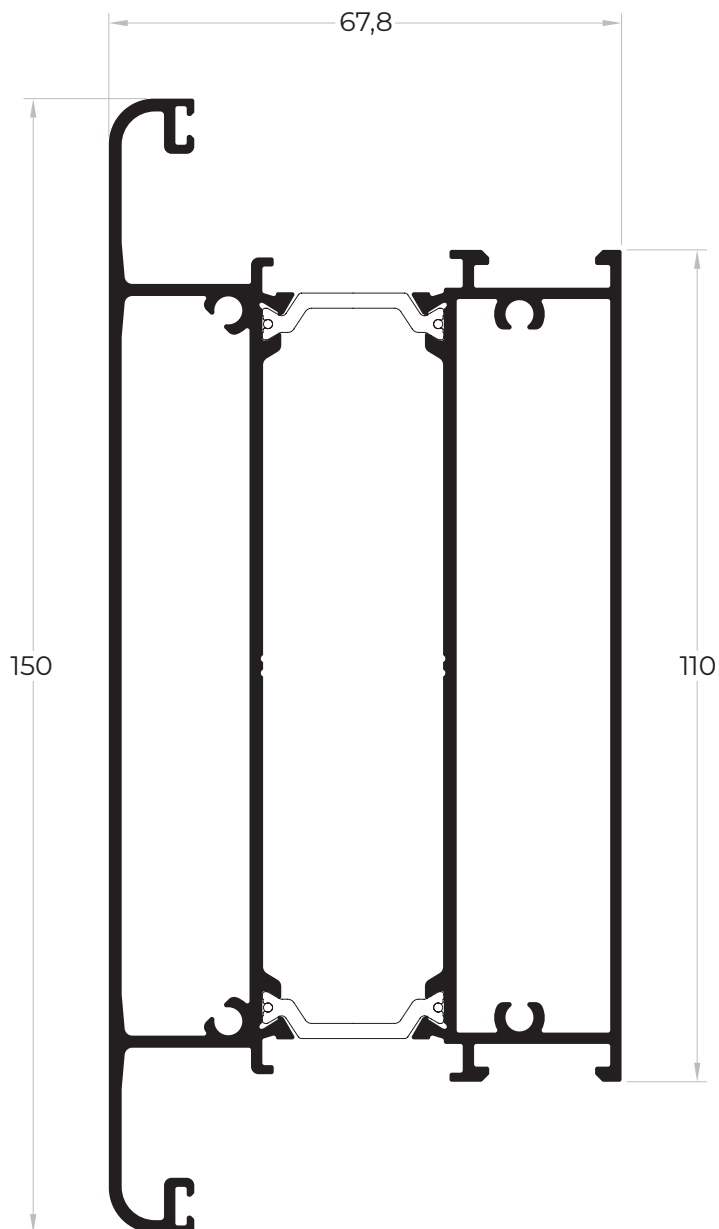


PERFIS PROFILES



ref: [n19 242-2](#)

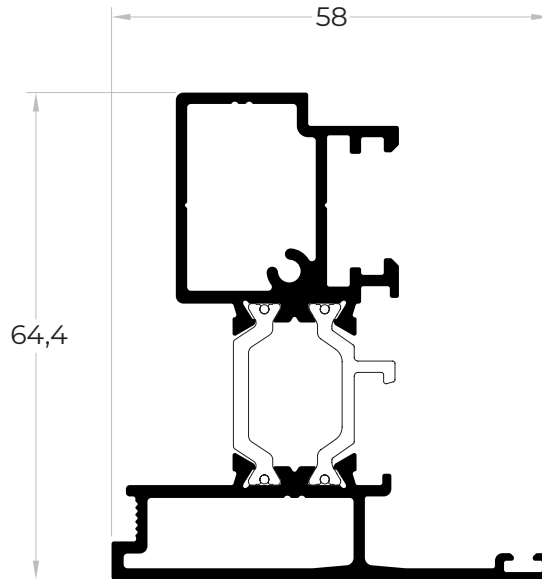
[escala scale 1:1]



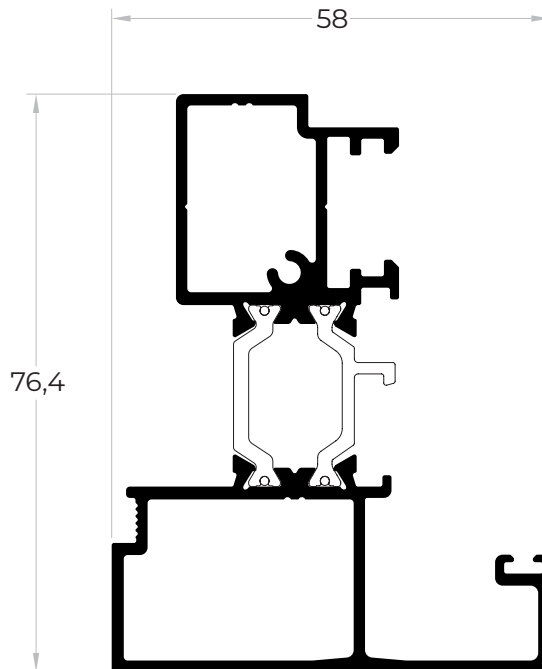
ref: **n19 242-3**



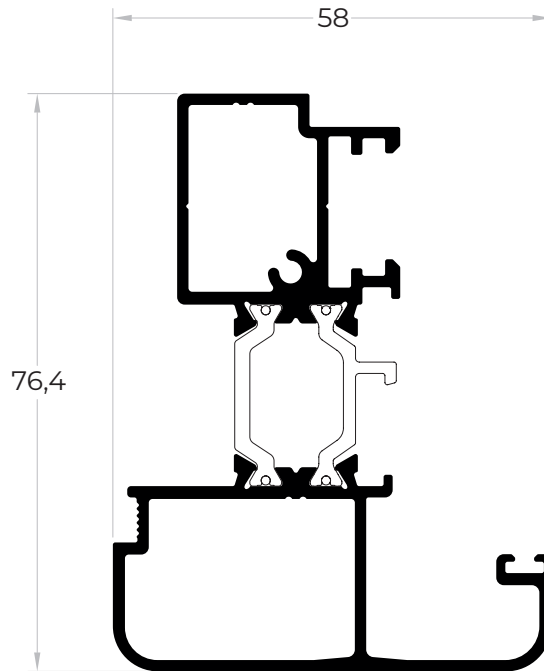
PERFIS PROFILES



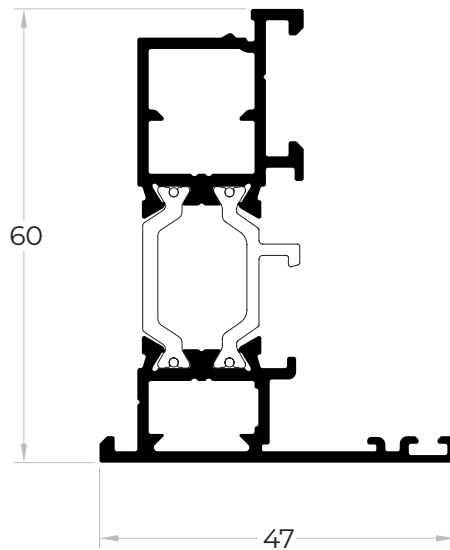
ref: **n19 271-1**



ref: **n19 271-2**



ref: **n19 271-3**



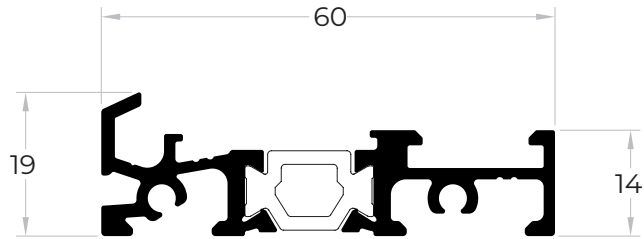
ref: **n19 274-1**



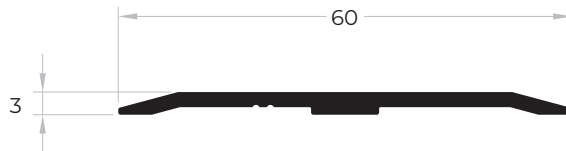
PERFIS PROFILES

SOLEIRA

SILL



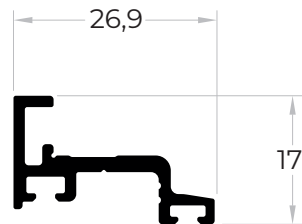
ref: **n19 288**



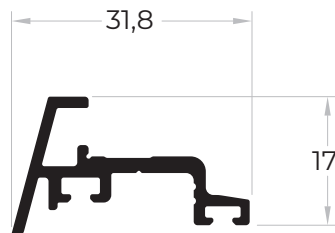
ref: **n32 370**

PERFIS COMPLEMENTARES

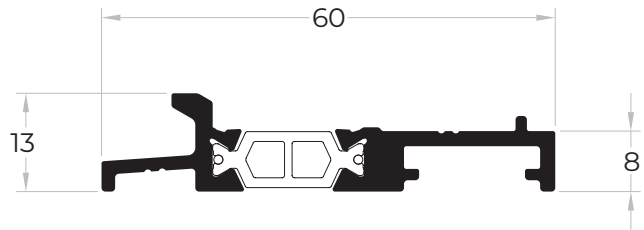
ADDITIONAL PROFILE



ref: **n19 283**



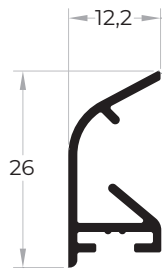
ref: **n19 284**



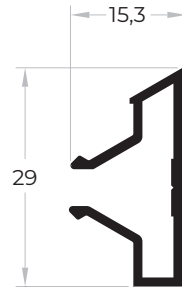
ref: **n19 285**



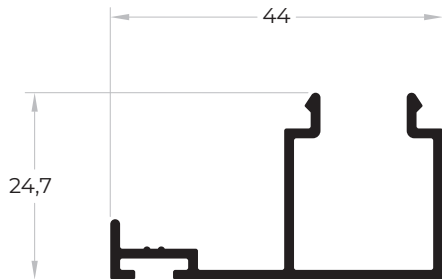
PERFIS PROFILES



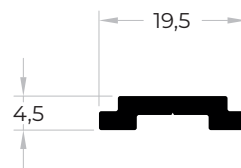
ref: **n19 096**



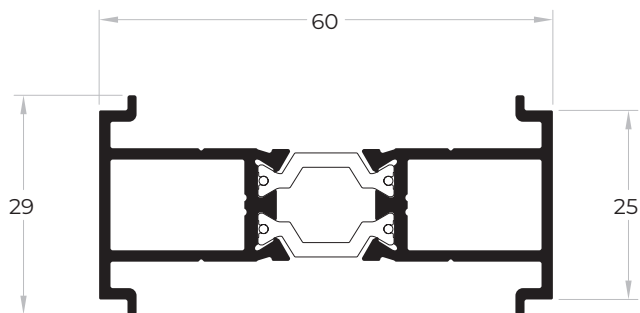
ref: **n19 097**



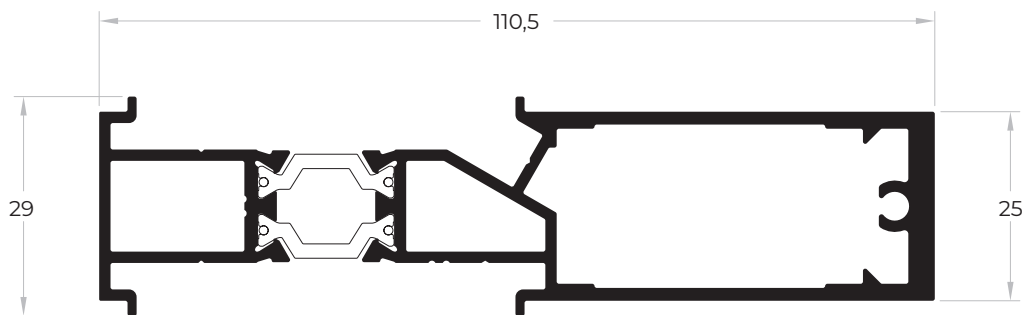
ref: **n19 074**



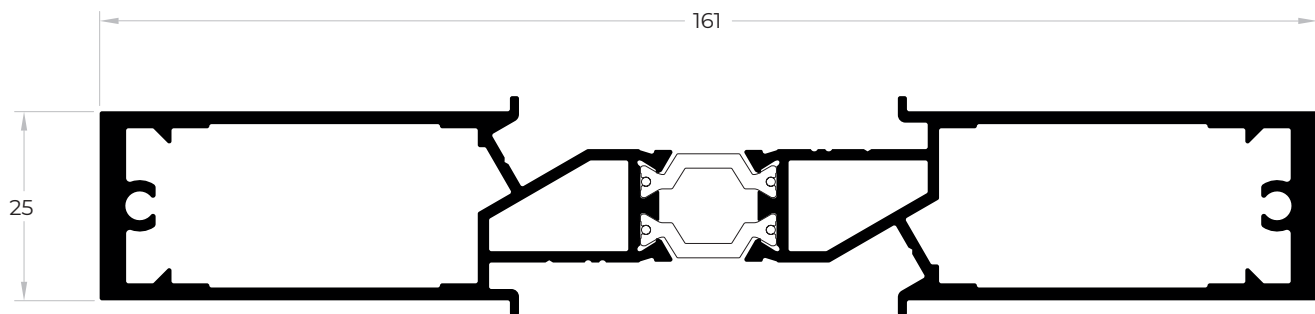
ref: **n12 094**



ref: **n19 276**



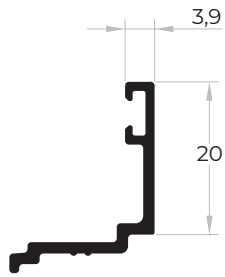
ref: **n19 277**



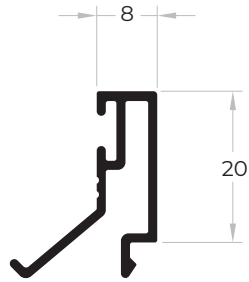
ref: **n19 278**



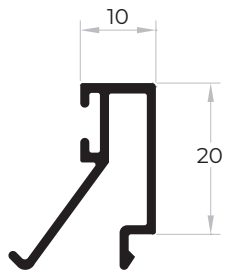
PERFIS PROFILES



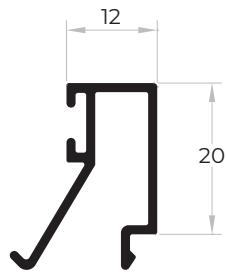
ref: **n12 156**



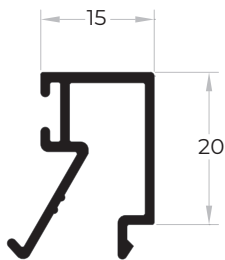
ref: **n12 050**



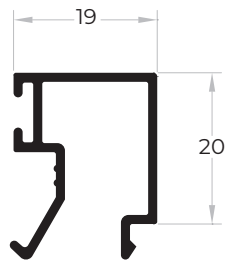
ref: **n12 052**



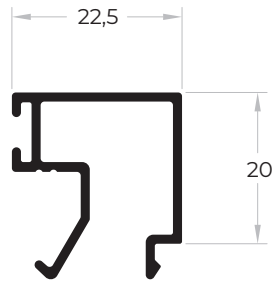
ref: **n12 053**



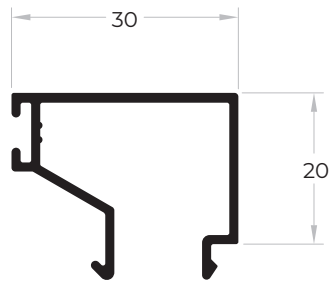
ref: **n12 058**



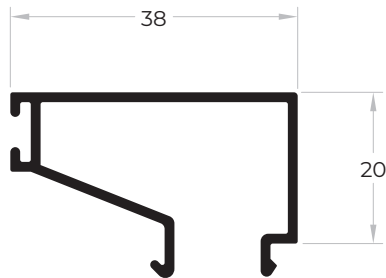
ref: **n12 054**



ref: **n12 059**



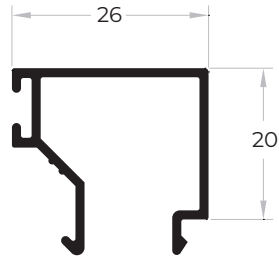
ref: **n12 157**



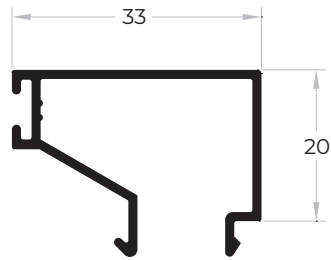
ref: **n12 057**



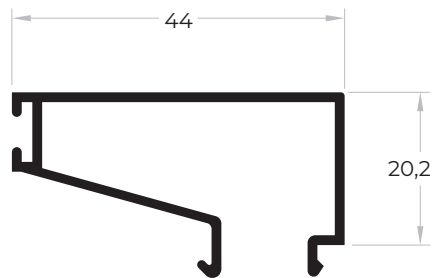
PERFIS PROFILES



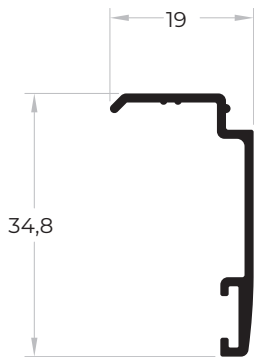
ref: **n12 055**



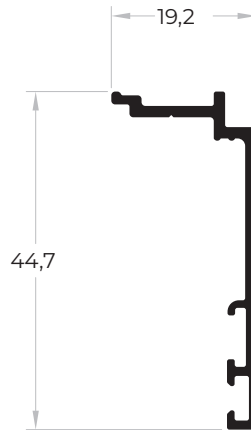
ref: **n12 056**



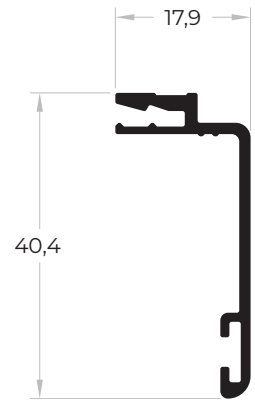
ref: **n12 060**



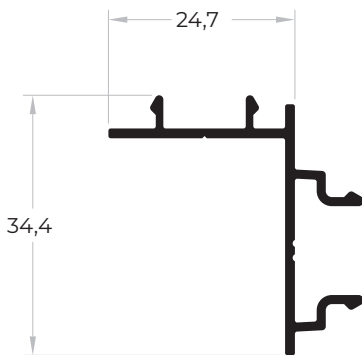
ref: **n14 047**



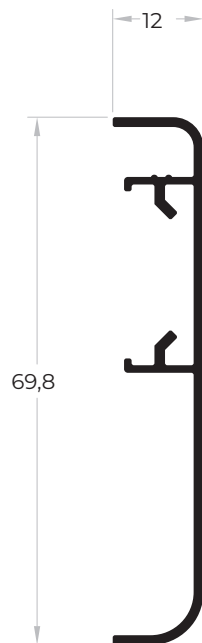
ref: **n14 048**



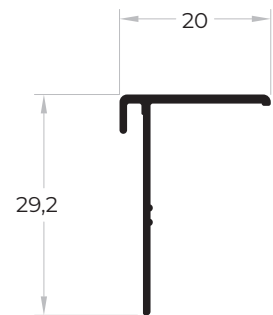
ref: **n14 053**



ref: **n14 091**



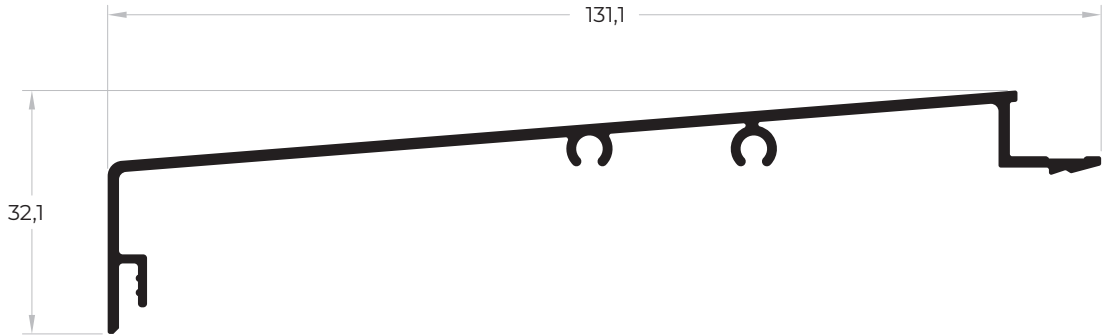
ref: **n14 092**



ref: **n21 093**



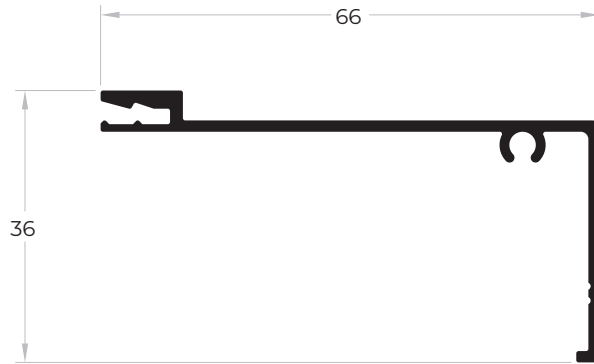
PERFIS PROFILES



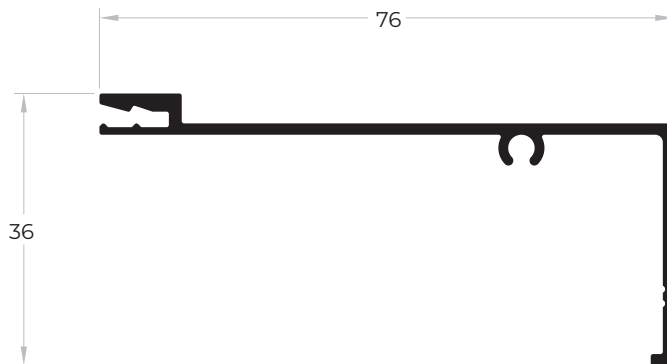
ref: **n14 065**



ref: **n14 066**



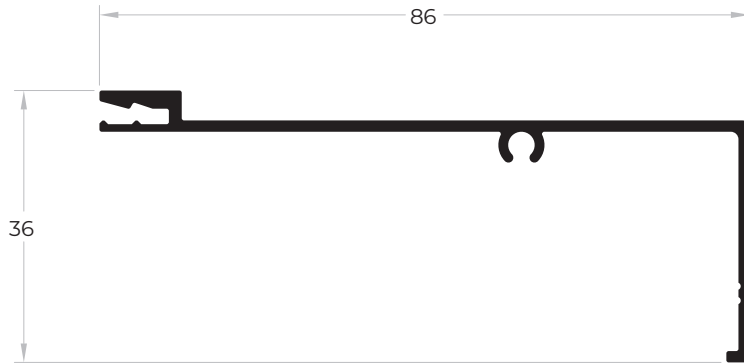
ref: **n14 055**



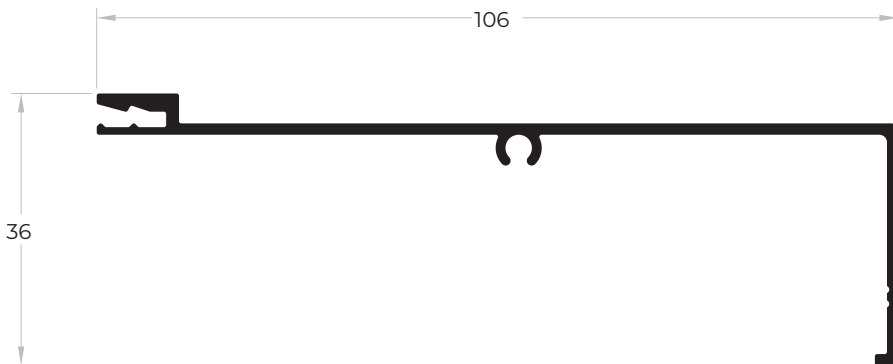
ref: **n14 056**



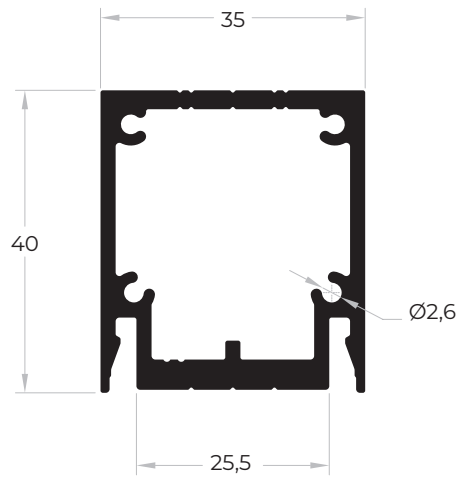
PERFIS PROFILES



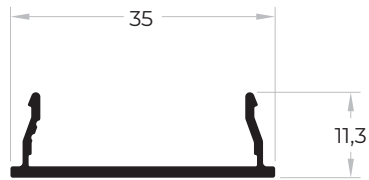
ref: **n14 057**



ref: **n14 058**



ref: **n31 961**



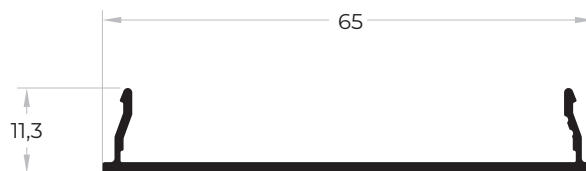
ref: **n31 963**



PERFIS PROFILES

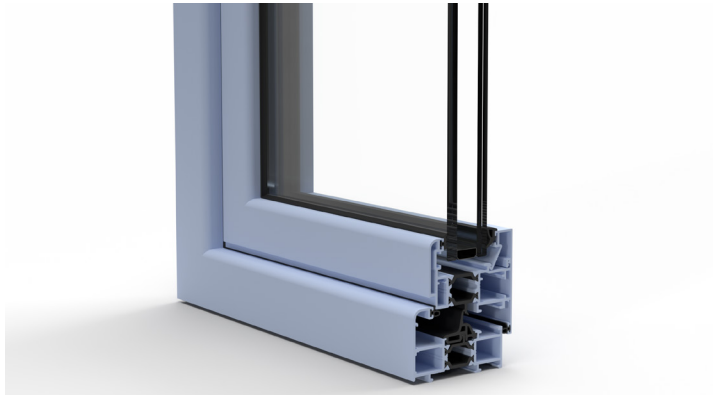
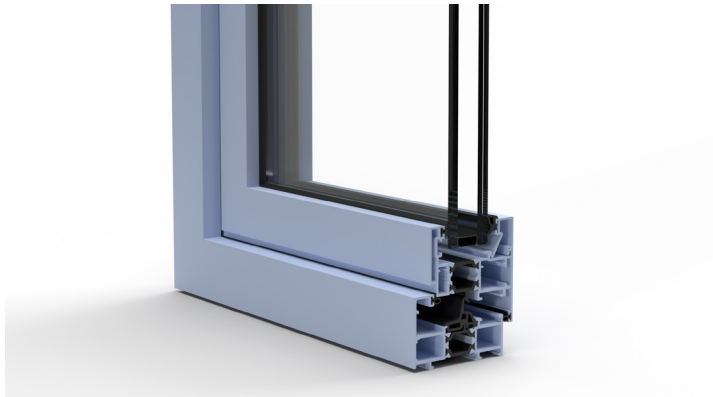
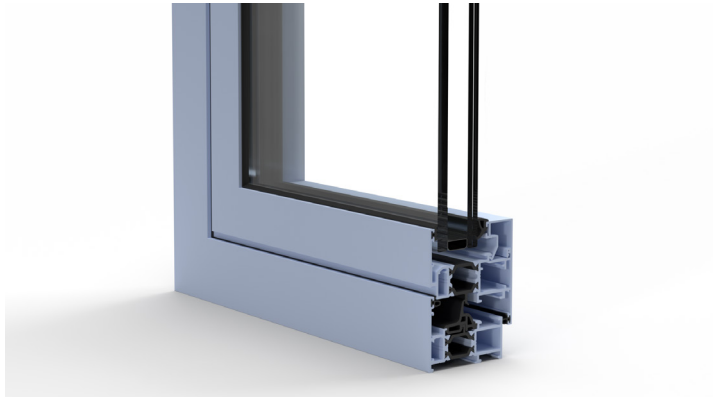


ref: **n31 965**



ref: **n31 966**





A Navarra - Extrusão de Alumínio, S.A. reserva-se no direito de proceder sem aviso prévio a alterações em todo ou parte do conteúdo apresentado, invalidando todas as versões anteriores.
Navarra - Extrusão de Alumínio, S.A. reserves the right to make unannounced changes to all or part of the content presented, invalidating all previous versions.

EDIFÍCIO SEDE | HEAD OFFICE
SHOWROOM BRAGA | BRAGA SHOWROOM
Navarra - Extrusão de Alumínio, S.A.
Avenida Doutor Domingos Soares, nº 18
4710-670 Braga

COORDENADAS GPS | GPS COORDINATES
41° 36´ 10.582" N
8° 22´ 52.554" W

ENDEREÇO POSTAL | POSTCODE
Navarra - Extrusão de Alumínio, S.A.
Apartado 2476
4701-971 BRAGA

t. + 351 253 603 520
f. + 351 253 677 005
geral@navarraaluminio.com
comercial@navarraaluminio.com
export@navarraaluminium.com

SHOWROOM LISBOA | LISBON SHOWROOM
Parque das Nações
Alameda dos Oceanos
Edifício Mar do Oriente, n.º63 fração 0.1
1900-137 Lisboa

t. + 351 218 965 032
showroomlisboa@navarraaluminio.com

COORDENADAS GPS | GPS LOCATION
38° 46´ 17.4" N
9° 05´ 44.4" W

Edição 1 | 23/04/26
Edition 1 | 23/04/26